

## MANUAL WALL-MOUNT LIQUID SOAP DISPENSER



The SJS-1000 manual soap dispenser uses a bag-type refill that simplifies replacement and reduces waste.

This manual dispenser delivers a pre-measured amount of liquid soap per application – giving approximately 1000 uses per refill. The sight glass indicates low soap level.

- Pre-measured soap per use
- Push-style dispensing mechanism
- Easy-to-use bag refills, no contamination
- Attaches to any wall in minutes

**Product Number: SJS-1000**

**Product Code: 7000000**

**Color:** Chrome and black

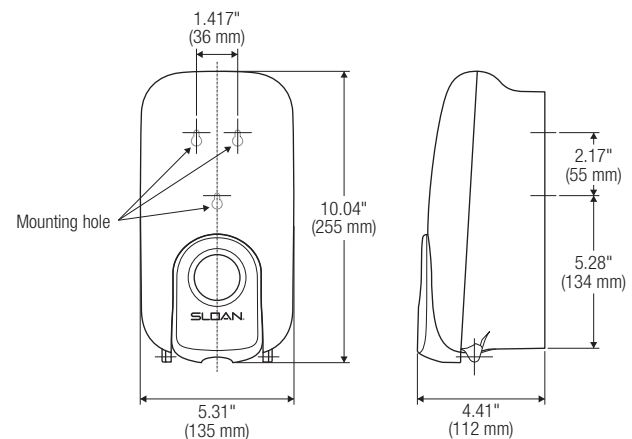
**Size:** W 5.31" x D 4.41" x H 10.04"  
(W 135 mm x D 112 mm x H 255 mm)

**Quantity/pack:** 1

**Quantity/case:** 6

### Refills:

Product No.	Description	Order No.
<b>SJS-1001</b>	Manual Wall-Mount Liquid Soap	5700200
<b>SJS-1001-1</b>	Manual Wall-Mount Liquid Soap with Moisturizers	5700201



The information contained in this document is subject to change without notice.

## SLOAN®

Sloan HEALTHMINDER™ Products  
10500 Seymour Avenue  
Franklin Park, IL 60131-1259  
Phone: 877-652-6726  
Fax: 800-447-8329  
www.sloanvalve.com