

(1)USER'S GUIDE

PLEASE REFER TO THE " CONSTRUCTION DIAGRAM" & " PARTS LIST" in the reverse side.

- A. Battery operated DISPENSER. Use "C" type ALKALINE BATTERY 1.5V 3pcs
- B. DIMENSION of DISPENSER 270(H) X 110(W) X 115(D) mm.
- C. CAPACITY OF **CONTAINER** (No.9) 950CC
- D. BATTERY LIFE: 10,000 cycles or 1 year.
- E. **POWER ON AUTOMATICALLY AFTER THE HOUSING (7) WAS CLOSED.**
POWER OFF AUTOMATICALLY AFTER THE HOUSING (7) WAS OPENED.
- F. INDICATOR GREEN SIGNAL LIGHT. It means "**IN USE**" & "**DISPENSING**"
FLASHING RED SIGNAL LIGHT. It means **BATTERY LOW**. To remind you to change **BATTERY** AS SOON AS POSSIBLE.
- G. If DISPENSER does not work, please refer to the **INSTALLATION GUIDE** and check the following points.
 - G1 Is LIQUID SOAP enough?
 - G2 Is the BATTERY charged? (Parts no 6)
 - G3 Is something within SENSING RANGE?
 - G4 Are the **CONNECTOR OF PLASTIC PIPE** (10), **PLASTIC PIPE** (11) and **NOZZLE** (12) in the correct position?
 - G5 Did you forget to remove the **LID** (8)?
 - G6 SENSING RANGE. If the SENSING RANGE is not at 6 cm for HANDS (not for DISHES).
Please use tiny little screw driver to turn the **ADJUSTER OF SENSING RANGE** (2) at
CLOCKWISE TO INCREASE THE SENSING RANGE
COUNTER CLOCKWISE TO REDUCE THE SENSING RANGE**REMINDE YOU AGAIN: MANUFACTURER FIXED THE SENSING RANGE AT 6CM FOR HANDS (NOT FOR DISHES)**
You'd better not change the sensing range.
- H. If you would like to remove the DISPENSER. Please take out the battery and put the LID on the container tightly to stop dispensing.
- I. BEST DESIGN
You can remove and rinse the container assembly if parts no. 9,10,11 or 12. were blocked by something.

(2)INSTALLATION GUIDE

(PLEASE REFER TO THE " CONSTRUCTION DIAGRAM" & " PARTS LIST" on the reverse side.)

Please proceed with the following procedures to install the AUTOMATIC SOAP DISPENSER.

- A Nothing is allowed within 20 cm from the NOZZLE (no.12)
- B Two options for installation
 - B1 Hang up the DISPENSER. You can find two holes (no.13) on BACK PLASTIC PLATE (no. 14) or B2 Stick on the wall.
 - (By using the prepared **rubberized fabric** on the **BACK PLASTIC PLATE** (no. 14)

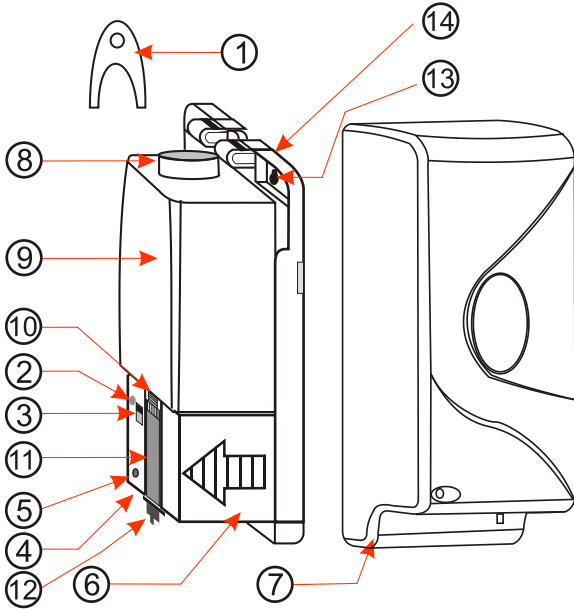
Warning: Clean the wall before you stick the dispenser.

AFTER 10 HOURS. Please continue the following procedures if your options is " B2"

- C. Check the **BATTERY ASSEMBLY** (no. 6)
 - Is battery new and powerful enough? (Use "C" type ALKALINE BATTERY 1.5V, 3 pcs.)
 - Is battery well-installed?
 - D. Two options for liquid soap:
 - D1: Remove the **CONTAINER** (no. 9). **CONTAINER** can be replaced by **SOAP CARTRIDGE**.
(You can find and purchase it from the supermarket)
 - or D2: Remove the **LID** (no. 8) only, then fill the liquid soap into the **CONTAINER** (no. 9)
Warning: The viscosity of liquid soap must be : 2,000 ~ 5,000 cps. It is normal liquid soap,
(You can find it in the supermarket.)
- After procedure "D 2", please cast away the **LID** (no.8)
Or, if you want to put the **LID** (No. 8) on the **CONTAINER** (No.9), please don't turn **LID**. too tightly, because flowing air is necessary inside the **CONTAINER** (no.9) for dispensing.
- E. Check the parts number 10, 11, 12 to make sure their positions are correct.
 - F. Check the SENSING RANGE . Manufacturer fixed the SENSING RANGE at 6 cm for HANDS (not for DISHES).
Please don't change the SENSING RANGE is completely necessary.

Air Delights, Inc.
Customer_Service@AirDelights.com
<http://www.airdelights.com>
Phone: 503-352-1201
Fax: 503-643-8224

(3) CONSTRUCTION DIAGRAM



(4) PARTS LIST

PARTS NO.	DESCRIPTION
1.	SECURITY KEY
2.	ADJUSTER OF SENSING RANGE
3.	SWITCH (EXCELLENT DESIGN) (POWER ON AUTOMATICALLY AFTER THE HOUSING (7) WAS CLOSED) (POWER OFF AUTOMATICALLY AFTER THE HOUSING (7) WAS OPENED)
4.	SENSOR ASSEMBLY
5.	INDICATOR FOR BATTERY LOW & IN USE
6.	BATTERY ASSEMBLY
7.	HOUSING

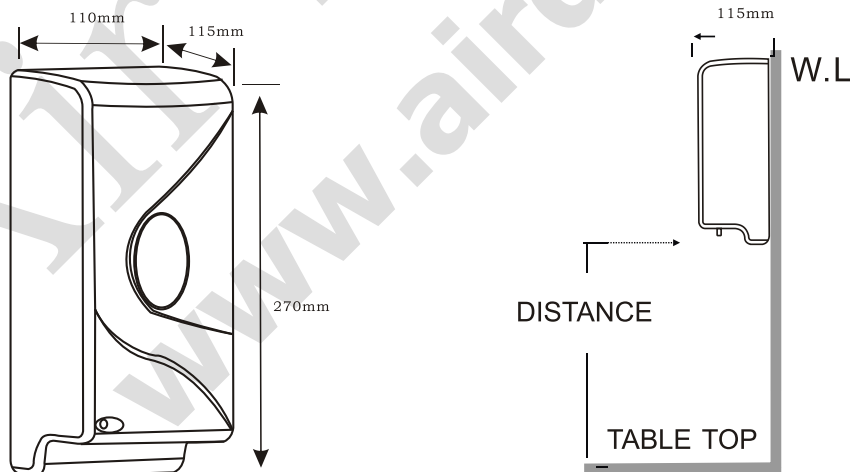
CONTAINER ASSEMBLY:

8.	LID (WARNING: REMOVE LID AFTER INSTALLATION)
9.	CONTAINER
10.	CONNECTOR between PLASTIC PIPE and container
11.	PLASTIC PIPE
12.	NOZZLE

FOR INSTALLATION:

13.	TWO HOLES (FOR HANGING UP THE DISPENSER)
14.	BACK PLASTIC PLATE

(5) SUGGESTED INSTALLATION POSITION



DISTANCE : At least 20 cm for NORMAL TABLE TOP.
At least 30 cm for STAINLESS STEEL TABLE TOP.
Otherwise the DISPENSER will keep dispensing.

Air Delights, Inc.
Customer_Service@AirDelights.com
<http://www.airdelights.com>
Phone: 503-352-1201
Fax: 503-643-8224