

# ESD-400

## Description

The ESD-400 sensor activated foam soap dispenser is the next evolution in dispenser technology. It uses a refill bottle that simplifies replacement and reduces waste. Its sensor technology offers hands-free operation by delivering a pre-measured foam soap application "on demand."

## Soap Dispenser Specifications

Sensor Activated, Electronic, Chrome Plated Die Cast Body, Hand Washing Soap Dispenser with the following features:

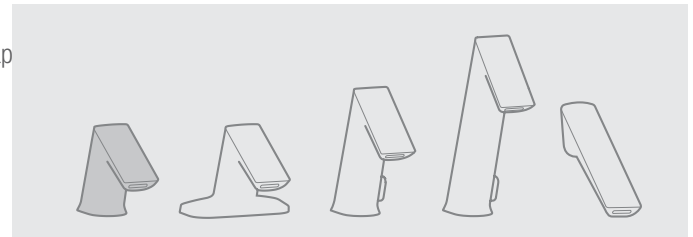
- Sensor-technology activates foam soap dispensing
- Hand-free operation promotes hygiene and eliminates cross contamination
- Easily attaches to deck surface
- Low soap level indicator
- One tool service
- All electronics sealed
- Double infrared sensors with automatic setting feature
- Soap sold separately

## Electrical Specifications

- AC Power Plug-in only
- Sensor Range - Nominal: 4" - 5" (102-127 mm)  
Dispenser Adaptive Self-Adjustment Range: 1"-6" (25-150 mm) nominal

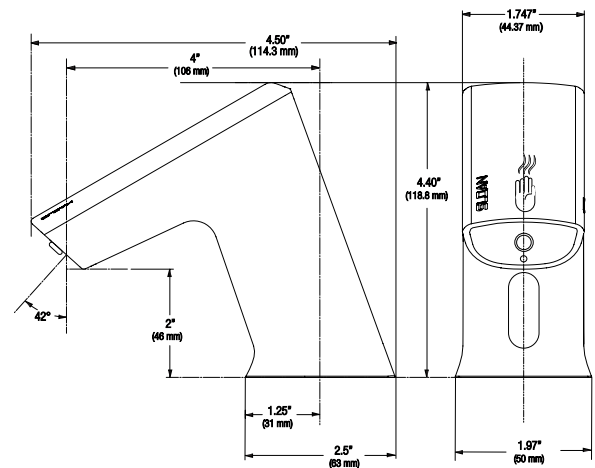
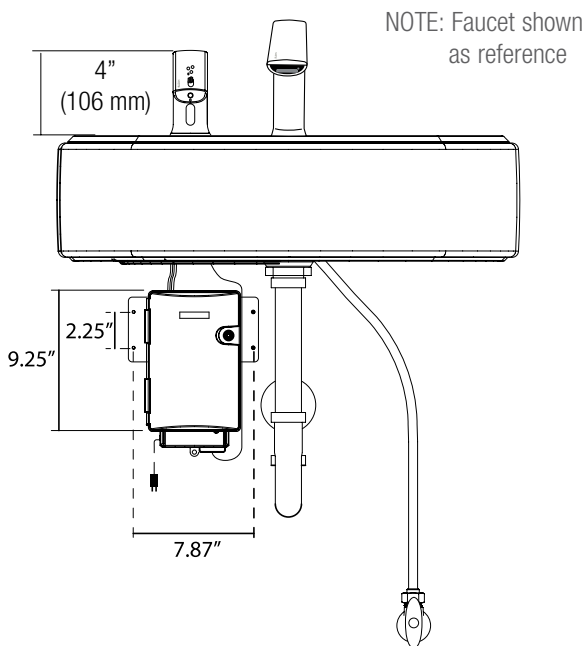
## Warranty

- 3 year limited



## BASYS Spec Language

Sloan model no. ESD-400 Infrared sensor activated electronic soap dispenser. It uses a refill bottle that simplifies replacement and reduces waste. Its sensor technology offers hands-free operation by delivering a pre-measured foam soap application "on demand." The product shall be tested and certified to industry standards.



Sloan Valve Company  
10500 Seymour Avenue  
Franklin Park, IL 60131  
Phone: 1-800-982-5839  
Fax: 1-800-447-8329  
www.sloanvalve.com