



AMERICAN SPECIALTIES, INC.

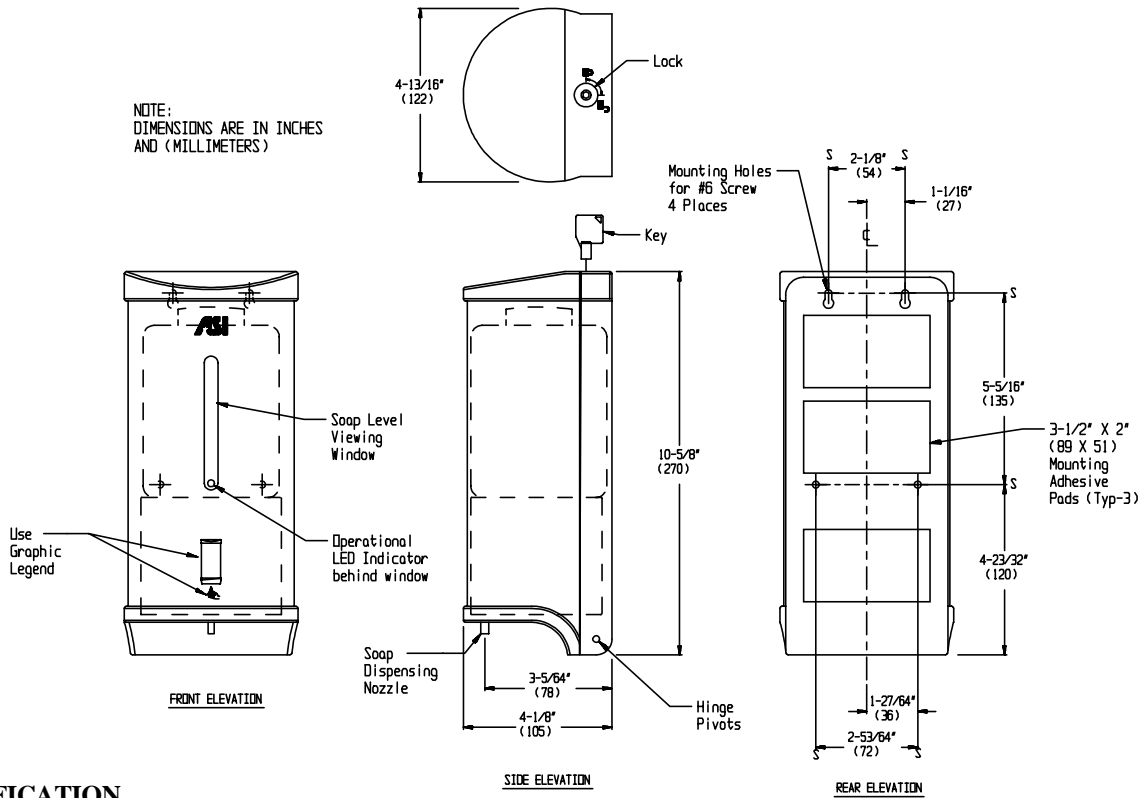
441 Saw Mill River Road, Yonkers, NY 10701 (914) 476-9000
www.americanspecialties.com

MODEL No: 0362/0363

ISSUED: 2-07

REVISED:

SURFACE MOUNTED STAINLESS STEEL AUTOMATIC LIQUID SOAP DISPENSER



SPECIFICATION

Surface Mounted Stainless Steel Automatic Liquid Soap Dispenser shall hold and dispense liquid and lotion soaps, synthetic detergents and antibacterial soaps containing PCMX and/or Triclosan with a viscosity range of between 2000 and 5000 mPa•s or cP (MilliPascal-sec or Centipoise). Capacity shall be either 800 ml (27 oz) when using a disposable soap cartridge (by others) or 900 ml (30 oz) when using the refillable soap cartridge provided. Dispenser body shall be fabricated of alloy 18-8 stainless steel, type 304 with black high-impact ABS plastic top door, bottom plate and concealed gray high-impact ABS plastic back plate comprising a swing-open body secured with a top mounted lock which is opened with special barrel security key provided. All exposed stainless steel surfaces shall be either N° 4 satin finish (0362) or bright polished finish (0363). Dispenser shall be powered by six (6) AA-size (1.5 V) batteries (not supplied) and shall operate automatically from IR sensor that shall activate soap dispensing when hands are placed in sensor zone. Adjustable sensor detection range shall be preset at 2-3/8" (60) ± 1-1/2" (38). An indicator LED shall provide status notification of battery condition and user sensor detection. Unit shall dispense a volume of .034 fl oz to .051 fl oz (1 ml to 1.5 ml) of soap during each activation. A tamper resistant soap level-viewing window shall be provided. An Owner's Manual shall be provided with unit in carton.

Surface Mounted Stainless Steel Automatic Liquid Soap Dispenser shall be Model N° 0362 (or Model N° 0363) of American Specialties, Inc., 441 Saw Mill River Road, Yonkers, New York 10701-4913

INSTALLATION

Surface mount unit to wall or partition with four (4) N° 6 x 15/16" (M3.5 x 24) self-threading Philips pan head screws (supplied) into dry wall anchors (provided) through concealed mounting holes provided, or use self-adhesive pads (supplied) to mount unit to mirror. Recommended installation height for general utility is 42" (1067) to 46" AFF to bottom of unit. Mount unit with bottom 7-7/8" (200) minimum above non-metallic washbasins or countertops and 11-13/16" (300) above stainless steel washbasins or countertops. Installation and Operation Instructions (N° 0610241228) and a mounting template are provided with unit in carton.

OPERATION

Soap is automatically dispensed when hands are placed in sensor zone. Unit is reloaded by unlocking lock with special key (supplied), swinging open dispenser body and removing and refilling or replacing disposable internal soap container. Soap dispenser will continue to feed properly until empty. Tank supply is replenished manually on a cycle determined by maintenance needs.

Accessory Specialties

AMERICAN DISPENSER

Desert Ray Products

WATROUS INC.