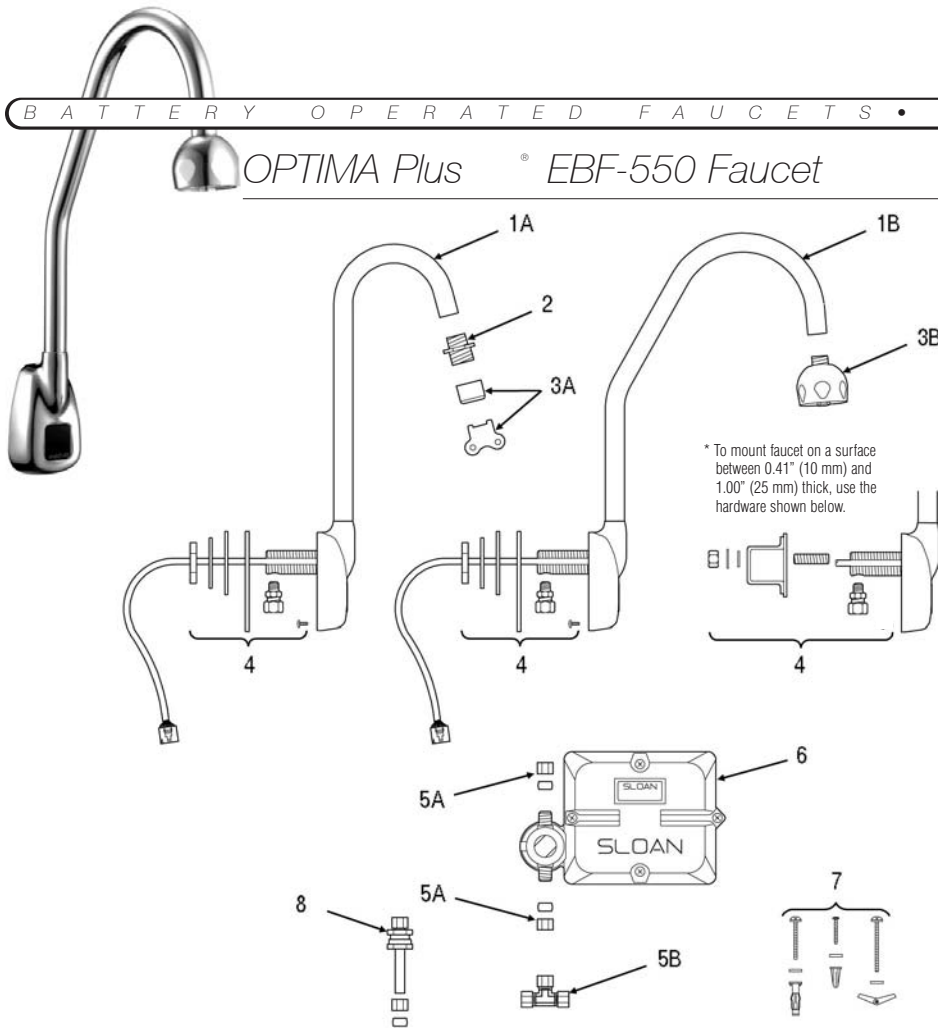


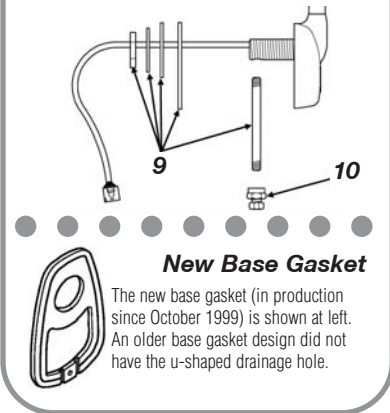
OPTIMA Plus® EBF-550 Faucet



Mounting Kit and Faucet Shank

The new mounting kit (in production since June 1999; part 4 shown on the left) includes parts for installation on both thin and thick surfaces, an **ETF-591** male compression fitting, and an anti-rotation screw for installation on sheet metal surfaces less than 0.41" (10 mm) thick. For surfaces between 0.41" (10 mm) and 1.00" (25 mm) thick, use the mounting spacer and mounting stud hardware*. The faucet sensor cable is threaded through a groove on the side of the shank.

The older mounting kit (in production in early 1999; part 9 shown below) can be identified by a copper supply tube attached to the faucet shank, requires an **ETF-547** compression fitting, and threads the faucet sensor cable through the



Parts List—EBF-550 Faucet

Item Number	Code Number	Part Number	Description
1A	0315061	EBF-94-A	Faucet and Sensor Assembly with Standard Gooseneck Spout (EBF-550)
1B	0315062	EBF-95-A	Faucet and Sensor Assembly with Surgical Bend Gooseneck Spout (EBF-550-S)
2	0305784	ETF-178	Adapter for Spray Heads (not required for AC-55-A Shower Spray Head)
3A	3365091	ETF-1021-A	0.5 gpm (1.9 Lpm) Spray Head with Key (female thread)
	3365090	ETF-1022-A	2.2 gpm (8.3 Lpm) Aerator Spray Head with Key (female thread)
	0305612	ETF-237	2.2 gpm (8.3 Lpm) Laminar Flow Spray Head (female thread)
	0305927	ETF-435	Replacement Key ONLY for ETF-1021-A 0.5 gpm (1.9 Lpm) Spray Head and ETF-1022-A 2.2 gpm (8.3 Lpm) Aerator Spray Head (NOT required for ETF-237 2.2 gpm/8.3 Lpm Laminar Flow Spray Head)
3B	0328134	AC-55-A	Shower Spray Head Assembly, 2.2 gpm (8.3 Lpm)
4	0315060	EBF-110-A	Faucet Mounting Kit includes Base Gasket, large Flat Washer, large Lockwasher, large Nut, Mounting Spacer, Mounting Stud, small Flat Washer, small Lockwasher, small Nut, Anti-Rotation Screw, and ETF-591 Compression Fitting Connector (male)
	0365152	ETF-591	1/8" NPT Pipe to 3/8" Tube Male Compression Fitting Connector
5A	3315029	EBF-113-A	Single Solenoid Supply Kit includes two (2) Compression Nuts, two (2) Compression Sleeves, and Screwdriver
5B	0305728	ETF-259	3/8" Tee Compression Fitting
6	0315104	EBF-60-A	Control Module Assembly includes Base Enclosure, Cover Enclosure, two (2) Gaskets, Solenoid Body, Solenoid Enclosure, Solenoid Filter Cap, and Battery Stop
7	3315018	EBF-79-A	Mounting Hardware Kit for Control Module Assembly includes four (4) Anchor Nuts, four (4) Toggle Nuts, four (4) Mounting Screws for Base Plate, four (4) Flat Washers, four (4) Anchors, and four (4) Metal Screws
8	3365001	ETF-470-A	Back Check
9	n/a	EBF-110-A	Old Faucet Mounting Kit includes 3/8" Water Supply Tube, Base Gasket, large Flat Washer, large Lockwasher, large Nut, and Compression Fitting Connector (order items 4 and 10 as replacement parts)
10	0365058	ETF-547	1/8" NPT Pipe to 3/8" Tube Female Compression Fitting Connector
—	0315048	EBF-107-A	Sensor Housing and Cable Assembly Replacement Kit
—	0315035	EBF-62-A	Solenoid Replacement Kit includes Solenoid Body, Solenoid Enclosure, and Solenoid Filter Cap
—	3315028	EBF-1004-A	Solenoid Filter Replacement Kit includes Filter Screen Assembly and O-ring
—	3315073	EBF-1006-A	Repair Kit for EBF-60 Control Module Assembly includes EBF-61-A Battery Holder Assembly and EBF-159 Battery Gasket
—	0315034	EBF-50-A	Control Module Replacement Gaskets (2 Required)