

Royal® Model Flushometer

Description

Exposed Urinal Flushometer, for 3/4" top spud urinals.

Flush Cycle

- Model 186-1.0 Low Consumption (1.0 gpf/3.8 Lpf)
- Model 186 Water Saver (1.5 gpf/5.7 Lpf)

Specifications

Quiet, Exposed, Diaphragm Type, Chrome Plated Urinal Flushometer with the following features:

- PERMEX® Synthetic Rubber Diaphragm with Dual Filtered Fixed Bypass
- ADA Compliant Metal Oscillating Non-Hold-Open Handle with Triple Seal Handle Packing
- I.P.S. 3/4" Screwdriver Bak-Chek® Angle Stop w/ Free Spinning Vandal Resistant Stop Cap
- Adjustable Tailpiece
- Back High Pressure Vacuum breaker flush connection w/ one-piece bottom hex coupling nut
- Spud Coupling and Flange for 3/4" Top Spud
- Sweat Solder Adapter w/Cover Tube & Cast Wall Flange w/Set Screw
- High Copper, Low Zinc Brass Castings for Dezincification Resistance
- Non-Hold-Open Handle, Fixed Metering Bypass and No External Volume Adjustment to Ensure Water Conservation
- Flush Accuracy Controlled by CID Technology
- Diaphragm, Handle Packing, Stop Seat and Vacuum Breaker molded from PERMEX Rubber Compound for Chloramine Resistance
- 100% of the energy used in manufacturing is offset w/ Renewable Energy Sources
 - Wind Energy

Valve Body, Cover, Tailpiece and Control Stop shall be in conformance with ASTM Alloy Classification for Semi-Red Brass. Valve shall be in compliance to the applicable sections of ASSE 1037 and ANSI/ASME A112.19.2.

Variations

- HL-3** Metal 3" Oscillating Push Button on front of valve (does not meet ADA requirements)
- SG** SaniGuard® Antimicrobial Coating Protects Handle and Socket*

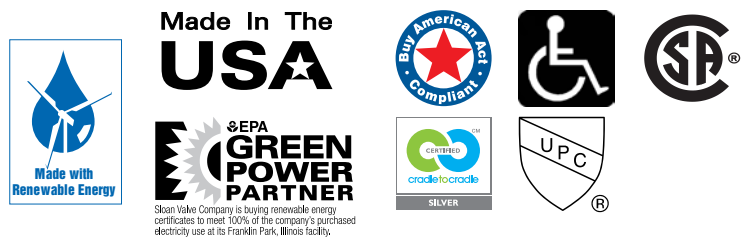
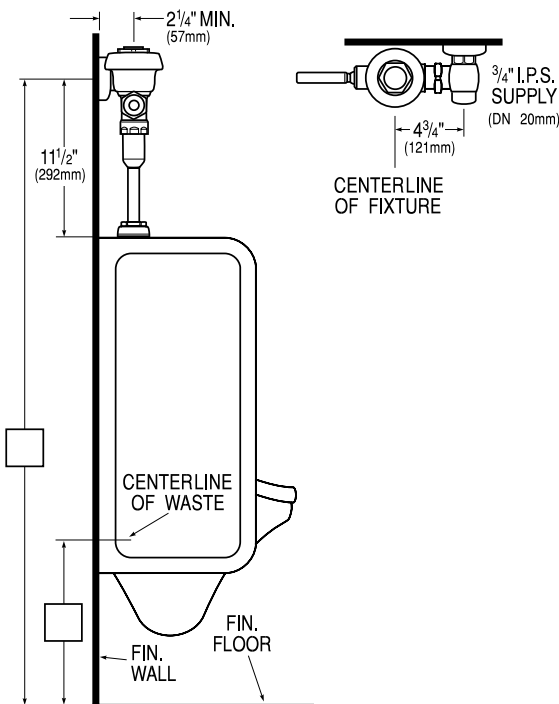
*SaniGuard does not protect users or others against disease-causing bacteria.

Accessories

See Accessories Section of the Sloan catalog for details on these and other flushometer variations.

Fixtures

Contact Sloan for Sloan brand matching fixture options.



This space for Architect/Engineer approval

Job Name _____ Date _____

Model Specified _____ Quantity _____

Variations Specified _____

Customer/Wholesaler _____

Contractor _____

Architect _____

The information contained in this document is subject to change without notice.

SLOAN

10500 SEYMOUR AVE. - FRANKLIN PARK, IL 60131
 PHONE: 1-800-9-VALVE-9 - FAX: 1-800-447-8329
<http://www.sloanvalve.com>

Air Delights

11170 SW 5TH STREET, SUITE 100 - BEAVERTON, OR 97005
 PHONE: 1-800-440-5556 - FAX: 1-503-643-8224
<http://www.airdelights.com> - Customer_Service@AirDelights.com