

Royal® Model Flushometer

Description

Exposed Water Closet Flushometer, for floor mounted or wall hung top spud bowls.

Flush Cycle

- Model 110 Water Saver (3.5 gpf/13.2 Lpf)
- Model 111 Low Consumption (1.6 gpf/6.0 Lpf)

Specifications

Quiet, Exposed, Diaphragm Type, Chrome Plated Closet Flushometer for left or right hand supply with the following features:

- **PERMEX** Antimicrobial Rubber Diaphragm with Dual Filtered Fixed Bypass
- **ADA** Compliant Metal Oscillating Non-Hold-Open Handle with Triple Seal Handle Packing
- **1.P.S.** Screwdriver Bak-Chek® angle stop w/ free spinning vandal resistant stop cap
- **Adjustable** High Pressure Vacuum Breaker Flush Connection w/ One-piece Bottom Hex Coupling Nut
- **Splicing** and Flange for 1-1/2" Top Spud
- **Swivel** Adapter w/Cover Tube & Cast Wall Flange w/Set Screw
- **High** Low Zinc Brass Castings for Dezincification Resistance
- **Non-Hold-Open** Fixed Metering Bypass and No External Volume Adjustment to Ensure Water Conservation
- **Accuracy** Controlled by CID Technology
- **Diaphragm, Packing, Stop Seat and Vacuum Breaker** molded from PERMEX Rubber Compound for Chloramine Resistance

Valve Body, Cover, Tailpiece and Control Stop shall be in conformance with ASTM Alloy Classification for Semi-Red Brass. Valve shall be in compliance to the applicable sections of ASSE 1037.

Variations

- XYV** Less Vacuum Breaker
- SG** SaniGuard® Antimicrobial Coating Protects Handle and Socket*

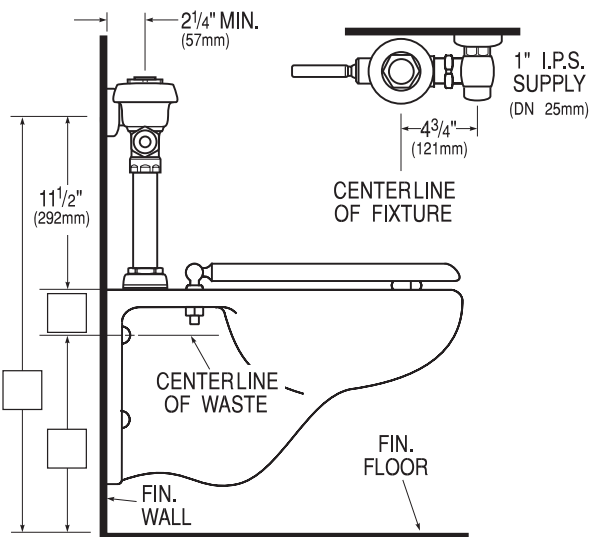
* SaniGuard does not protect users or others against disease-causing bacteria.

Accessories

See Accessories Section of the Sloan catalog for details on these and other Flushometer variations.

Fixtures

Consult Sloan for Sloan brand matching fixture options.



This space for Architect/Engineer approval

Job Name _____ Date _____

Model Specified _____ Quantity _____

Variations Specified _____

Customer/Wholesaler _____

Contractor _____

Architect _____

The information contained in this document is subject to change without notice.