



# Gem•2® Model Flushometer

# 120

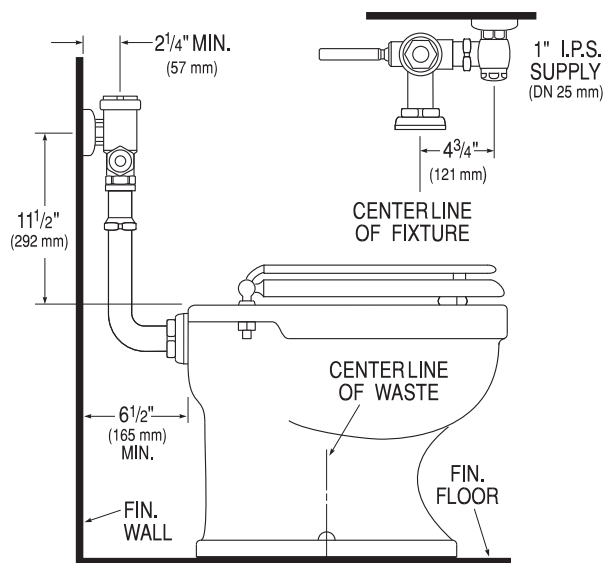
- ▶ **Description**  
Exposed, Water Closet Flushometer for floor mounted back spud bowls.
- ▶ **Flush Cycle**
  - Model 120 Water Saver (3.5 gpf/13.2 Lpf)
  - Model 120-1.6 Low Consumption (1.6 gpf/6.0 Lpf)
- ▶ **Specifications**  
Quiet, Exposed, Piston Type, Chrome Plated Closet Flushometer with the following features:
  - Fixed Volume Piston with Filtered O-ring Bypass
  - ADA Compliant Metal Oscillating Non-Hold-Open Handle
  - 1" I.P.S. Screwdriver Bak-Chek® Angle Stop
  - Locking Vandal Resistant Stop Cap
  - Adjustable Tailpiece
  - Vacuum Breaker Flush Connection
  - Spud Coupling, Wall and Spud Flanges for 1½" Exposed Back Spud
  - High Copper, Low Zinc Brass Castings for Dezincification Resistance
  - Non-Hold-Open Handle and No External Volume Adjustment to Ensure Water Conservation
  - Handle Packing, Stop Seat and Vacuum Breaker Molded from PERMEX® Rubber Compound for Chloramine Resistance

Valve Body, Cover, Tailpiece and Control Stop shall be in conformance with ASTM Alloy Classification for Semi-Red Brass. Valve shall be in compliance to the applicable sections of ASSE 1037, ANSI/ASME A112.19.2.

- ▶ **Variations**
  - U** 1¼" Flush Connection and Spud Coupling
  - XV** Less Vacuum Breaker
  - YB** Sweat Solder Adapter Kit
  - YBYC** Sweat Solder Adapter & Cast Wall Flange with Set Screw
  - YG** Extended Bumper on Angle Stop (for seat with cover)
  - YJ** Split Ring Pipe Support
  - YK** Solid Ring Pipe Support
  - YO** Bumper on Angle Stop

Note: Bak-Chek® Angle Stop available with 1" Whitworth Thread (please specify).

See Accessories Section of the Sloan catalog for details on these and other Flushometer variations.



This space for Architect/Engineer approval

Job Name \_\_\_\_\_ Date \_\_\_\_\_

Model Specified \_\_\_\_\_ Quantity \_\_\_\_\_

Variations Specified \_\_\_\_\_

Customer/Wholesaler \_\_\_\_\_

Contractor \_\_\_\_\_

Architect \_\_\_\_\_

The information contained in this document is subject to change without notice.

## SLOAN®

SLOAN VALVE COMPANY • 10500 SEYMOUR AVE. • FRANKLIN PARK, IL. 60131  
 Ph: 1-800-9-VALVE-9 or 1-847-671-4300 • Fax: 1-800-447-8329 or 1-847-671-4380  
[www.sloanvalve.com](http://www.sloanvalve.com)