

Gem•2® Model Flushometer

115

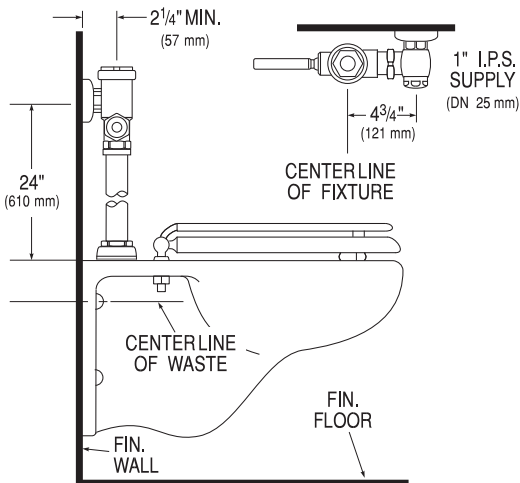
- ▶ **Description**
Exposed, Water Closet Flushometer for floor mounted or wall hung top spud bowls.
- ▶ **Flush Cycle**
 - Model 115 Water Saver (3.5 gpf/13.2 Lpf)
 - Model 115-1.6 Low Consumption (1.6 gpf/6.0 Lpf)
- ▶ **Specifications**
Quiet, Exposed, Piston Type, Chrome Plated Closet Flushometer with the following features:
 - Fixed Volume Piston with Filtered O-ring Bypass
 - ADA Compliant Metal Oscillating Non-Hold-Open Handle
 - 1" I.P.S. Screwdriver Bak-Chek® Angle Stop
 - Locking Vandal Resistant Stop Cap
 - Adjustable Tailpiece
 - Vacuum Breaker Flush Connection
 - Spud Coupling, Wall and Spud Flanges for 1½" Top Spud
 - High Copper, Low Zinc Brass Castings for Dezincification Resistance
 - Non-Hold-Open Handle and No External Volume Adjustment to Ensure Water Conservation
 - Handle Packing, Stop Seat and Vacuum Breaker Molded from PERMEX® Rubber Compound for Chloramine Resistance

Valve Body, Cover, Tailpiece and Control Stop shall be in conformance with ASTM Alloy Classification for Semi-Red Brass. Valve shall be in compliance to the applicable sections of ASSE 1037, ANSI/ASME A112.19.2.

- ▶ **Variations**
 - TP** Trap Primer
 - XYV** Less Vacuum Breaker
 - YB** Sweat Solder Adapter Kit
 - YBYC** Sweat Solder Adapter & Cast Wall Flange with Set Screw
 - YJ** Split Ring Pipe Support
 - YK** Solid Ring Pipe Support
 - YI** Two Wall Bumpers (for open front seat without cover)

Note: Bak Chek® Angle Stop available with 1" Whitworth Thread (please specify).

See Accessories Section of the Sloan catalog for details on these and other Flushometer variations.



This space for Architect/Engineer approval

Job Name _____ Date _____

Model Specified _____ Quantity _____

Variations Specified _____

Customer/Wholesaler _____

Contractor _____

Architect _____

The information contained in this document is subject to change without notice.



SLOAN VALVE COMPANY • 10500 SEYMOUR AVE. • FRANKLIN PARK, IL. 60131
Ph: 1-800-9-VALVE-9 or 1-847-671-4300 • Fax: 1-800-447-8329 or 1-847-671-4380
www.sloanvalve.com