



# Gem•2<sup>®</sup> Model Flushometer

# 110 111



Certified Listed by I.A.P.M.O.

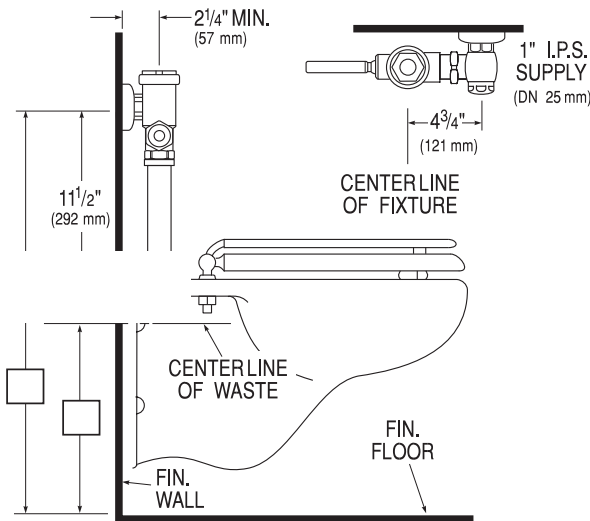
- ▶ **Description**  
Exposed, Water Closet Flushometer for floor mounted or wall hung top spud bowls.
- ▶ **Flush Cycle**
  - Model 110 Water Saver (3.5 gpf/13.2 Lpf)
  - Model 111 Low Consumption (1.6 gpf/6.0 Lpf)
- ▶ **Specifications**  
Quiet, Exposed, Piston Type, Chrome Plated Closet Flushometer with the following features:
  - Fixed Volume Piston with Filtered O-ring Bypass
  - ADA Compliant Metal Oscillating Non-Hold-Open Handle
  - 1" I.P.S. Screwdriver Bak-Chek<sup>®</sup> Angle Stop
  - Locking Vandal Resistant Stop Cap
  - Adjustable Tailpiece
  - Vacuum Breaker Flush Connection
  - Spud Coupling, Wall and Spud Flanges for 1½" Top Spud
  - High Copper, Low Zinc Brass Castings for Dezincification Resistance
  - Non-Hold-Open Handle and No External Volume Adjustment to Ensure Water Conservation
  - Handle Packing, Stop Seat and Vacuum Breaker Molded from PERMEX<sup>™</sup> Rubber Compound for Chloramine Resistance

Valve Body, Cover, Tailpiece and Control Stop shall be in conformance with ASTM Alloy Classification for Semi-Red Brass. Valve shall be in compliance to the applicable sections of ASSE 1037, ANSI/ASME A112.19.2, and Military Specification V-29193.

- ▶ **Variations**
  - U** 1¼" Flush Connection and Spud Coupling
  - TP** Trap Primer
  - XYV** Less Vacuum Breaker
  - YB** Sweat Solder Adapter Kit
  - YBYC** Sweat Solder Adapter & Cast Wall Flange with Set Screw
  - YG** Extended Bumper on Angle Stop (for seat with cover)
  - YJ** Split Ring Pipe Support
  - YK** Solid Ring Pipe Support
  - YO** Bumper on Angle Stop

NOTE: Bak-Chek<sup>®</sup> Angle Stop available with 1" Whitworth Thread (please specify).

See Accessories Section of the Sloan catalog for details on these and other Flushometer variations.



Gem•2 110 S.S. — Rev. 2 (04/07)  
Copyright © 2007 SLOAN VALVE COMPANY Printed in the U.S.A.

This space for Architect/Engineer approval

Job Name \_\_\_\_\_ Date \_\_\_\_\_

Model Specified \_\_\_\_\_ Quantity \_\_\_\_\_

Variations Specified \_\_\_\_\_

Customer/Wholesaler \_\_\_\_\_

Contractor \_\_\_\_\_

Architect \_\_\_\_\_

The information contained in this document is subject to change without notice.



10500 SEYMOUR AVE. - FRANKLIN PARK, IL 60131  
PHONE: 1-800-9-VALVE-9 - FAX: 1-800-447-8329  
<http://www.sloanvalve.com>



11170 SW 5TH STREET, SUITE 100 - BEAVERTON, OR 97005  
PHONE: 1-800-440-5556 - FAX: 1-503-643-8224  
<http://www.airdelights.com> - Customer\_Service@AirDelights.com