

Crown® Model Flushometer

186 HEU



Description

Exposed, urinal flushometer for 3/4" top spud urinals. Valve cannot be converted to exceed a low consumption flush.

Flush Cycle

- Model 186-0.125 High Efficiency (0.125 gpf/0.5 Lpf)
Code: 3122665
- Model 186-0.25 High Efficiency (0.25 gpf/1.0 Lpf)
Code: 3122666
- Model 186-0.5 High Efficiency (0.5 gpf/1.9 Lpf)
Code: 3122626

Specifications

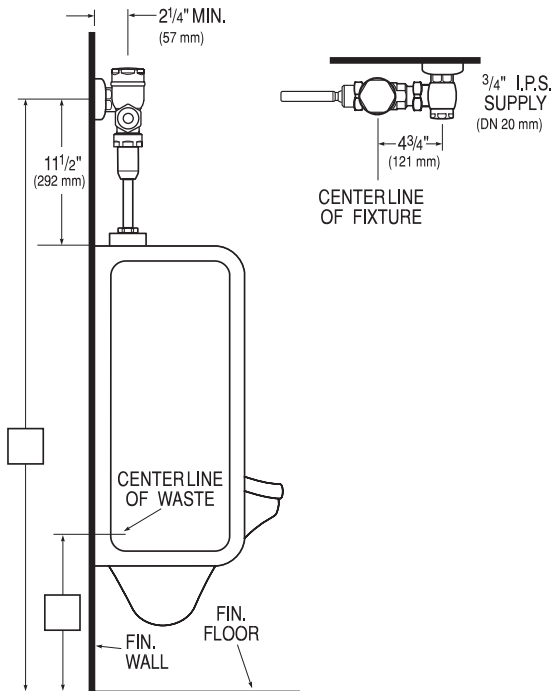
Quiet, Exposed, Piston Type, Chrome Plated Urinal Flushometer with the following features:

- Fixed Volume Piston with Filtered o-ring Bypass
- ADA Compliant Metal Oscillating Non-Hold-Open Handle with Triple Seal Handle Packing
- 3/4" I.P.S. Screwdriver Bak-Chek® Angle Stop
- Locking Vandal Resistant Stop Cap
- Adjustable Tailpiece
- High back pressure vacuum breaker flush connection with one-piece bottom hex coupling nut
- Spud Coupling and Flange for 3/4" Top Spud
- Sweat Solder Adapter with Cover Tube and Cast Set Screw Wall Flange
- High Copper, Low Zinc Brass Castings for Dezincification Resistance
- Valve designed to accept Low and Ultra-Low Consumption Pistons only to ensure Water Conservation
- Non-Hold-Open Handle, Fixed Metering Bypass and No External Volume Adjustment to Ensure Water Conservation
- Handle Packing, Main Seat, Stop Seat and Vacuum Breaker molded from PERMEX® Rubber Compound for Chloramine Resistance

Valve Body, Cover, Tailpiece and Control Stop shall be in conformance with ASTM Alloy Classification for Semi-Red Brass. Valve shall be in compliance to the applicable sections of ASSE 1037.

Accessories

See Accessories Section of the Sloan catalog for details on these and other flushometer variations.



This space for Architect/Engineer approval

Job Name _____ Date _____

Model Specified _____ Quantity _____

Variations Specified _____

Customer/Wholesaler _____

Contractor _____

Architect _____

The information contained in this document is subject to change without notice.