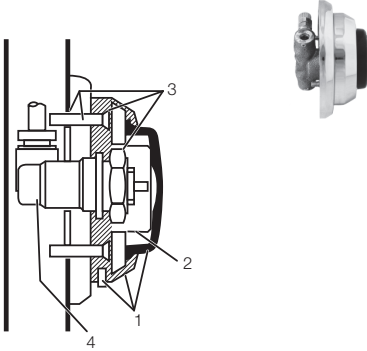


**Series 900® Flushometer**

**HY-49-A (0318049)  
METAL PARTITION PUSH BUTTON**

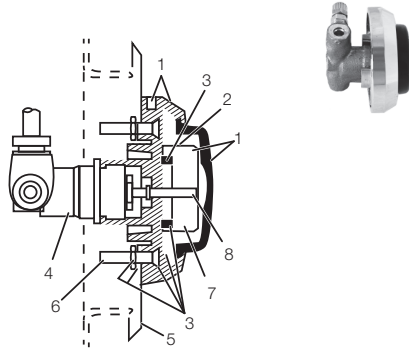


Item No.	Code No.	Part No.	Description
1.	<b>3318007</b>	HY-1000-A	Push Button Kit – includes Push Button, Flange, Spring & Set Screw
2.	<b>0318004</b>	HY-3	Spring
3.	<b>3318010</b>	HY-1003-A	Mounting Flange Kit – includes Mounting Flange, Mounting Nut, Screws (2) & Tinnerman Nuts (2)
4.	<b>0318123</b>	HY-71-A	Actuator Assembly

NOTE: Includes HY-32-A cartridge (shown at right)  
NOTE: Maximum distance from button to valve is 20' (longer tubing required)

NOTE: HY-30 84" longer tubing (0318094)

**HY-72-A (0318072)  
SIDE WALL PUSH BUTTON**

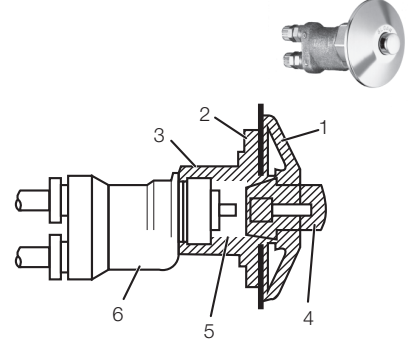


Item No.	Code No.	Part No.	Description
1.	<b>3318007</b>	HY-1000-A	Push Button Kit – includes Push Button, Flange, Spring & Set Screw
2.	<b>0318004</b>	HY-3	Spring
3.	<b>3318008</b>	HY-1001-A	Mounting Flange Kit – includes Mounting Flange, Mounting Nut, Screws (2), Nuts (2) & Washers (2)
4.	<b>0318123</b>	HY-71-A	Actuator Assembly
5.	<b>0318041</b>	HY-40	Plate
6.	<b>0305173</b>	EL-173	Screws (4)
7.	<b>0318073</b>	HY-73	Extension Adapter
8.	<b>0318074</b>	HY-74	Extension Stem

NOTE: Includes HY-32-A cartridge (shown at right)  
NOTE: Maximum distance from button to valve is 20' (longer tubing required)

NOTE: HY-30 84" longer tubing (0318094)

**HY-108-A (0318119)  
PENAL WARE METAL  
PUSH BUTTON**

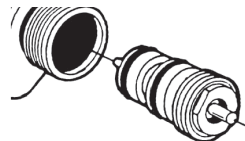


Item No.	Code No.	Part No.	Description
1.	<b>0318116</b>	HY-91	Flange
2.	<b>0318111</b>	HY-94	Mounting Washer
3.	<b>0318112</b>	HY-93	Mounting Nut
4.	<b>0318115</b>	HY-86-A	Push Button Assembly
5.	<b>0305134</b>	EL-109	Spring
6.	<b>0318078</b>	HY-50-A	Actuator Assembly

NOTE: Includes HY-32-A cartridge (shown below)  
NOTE: Maximum distance from button to valve is 20' (longer tubing required)  
NOTE: HY-30 84" longer tubing (0318094)



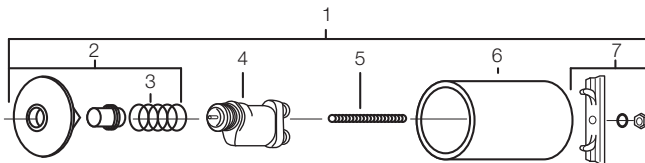
**HY-32-A ACTUATOR CARTRIDGE ASSEMBLY**



For use with HY-50-A and HY-71-A actuator assemblies

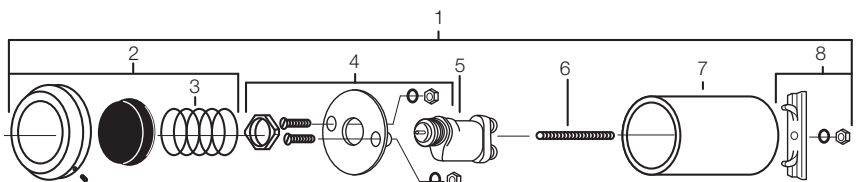
**HY-100-A (0318117)  
FIXTURE WALL METAL PUSH BUTTON**

Item No.	Code No.	Part No.	Description
1.	<b>0318117</b>	HY-100-A	Fixture Wall Metal Button Assembly
2.	<b>3318006</b>	HY-111-A	Metal Button Kit
3.	<b>0305134</b>	EL-109	Spring
4.	<b>0318078</b>	HY-50-A	Actuator Assembly
5.	<b>0318028</b>	HY-29	Threaded Rod
6.	<b>0318109</b>	HY-105	Spacer
7.	<b>3318009</b>	HY-1002-A	Mounting Strap Kit



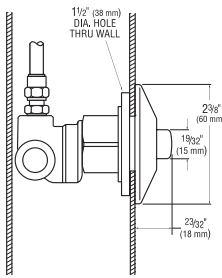
**HY-33-A (0318001)  
FIXTURE WALL PUSH BUTTON**

Item No.	Code No.	Part No.	Description
1.	<b>0318001</b>	HY-33-A	Fixture Wall Push Button Assembly
2.	<b>3318007</b>	HY-1000-A	Push Button Kit
3.	<b>0318004</b>	HY-3	Spring
4.	<b>3318008</b>	HY-1001-A	Mounting Flange Kit
5.	<b>0318078</b>	HY-50-A	Actuator Assembly
6.	<b>0318028</b>	HY-29	Threaded Rod
7.	<b>0318109</b>	HY-105	Spacer
8.	<b>3318009</b>	HY-1002-A	Mounting Strap Kit



**Series 900® Flushometer**

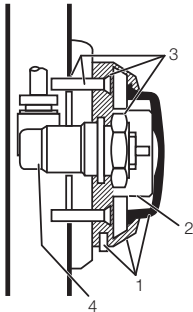
**HY-113-A (0318120)  
METAL PUSH BUTTON PANEL MOUNT  
(MBPM VARIATION)**



Item No.	Code No.	Part No.	Description
1.	<b>0318115</b>	HY-86-A	Push Button Kit – includes Push Button, Flange, Spring & Set Screw
2.	<b>0305134</b>	EL-109	Spring
3.	<b>0318111</b>	HY-94-A	Mounting Flange Kit – includes Mounting Nut, Screws (2) & Tinnerman Nuts (2)
4.	<b>0318123</b>	HY-91-A	Flange

NOTE: Includes HY-32-A cartridge (0318031)  
NOTE: Maximum distance from button to valve is 20' (longer tubing required)  
NOTE: HY-30 84" longer tubing (0318094)

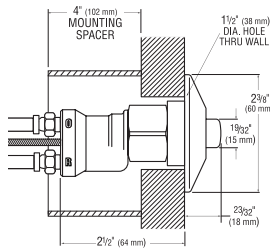
**HY-79-A (0318081)  
METAL PARTITION PUSH BUTTON**



Item No.	Code No.	Part No.	Description
1.	<b>0318002</b>	HY-1-A	Push Button Kit – includes Push Button, Flange, Spring & Set Screw
2.	<b>0318004</b>	HY-3	Spring
3.	<b>0318003</b>	HY-2-A	Mounting Flange Kit – includes Mounting Flange, Mounting Nut, Screws (2) & Tinnerman Nuts (2)
4.	<b>0318123</b>	HY-71-A	Actuator Assembly

NOTE: Includes HY-32-A cartridge (shown at right)  
NOTE: Maximum distance from button to valve is 20' (longer tubing required)

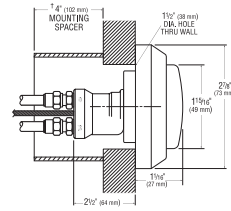
**HY-100-A (0318117)  
METAL PUSH BUTTON PANEL MOUNT  
(MBFW VARIATION)**



Item No.	Code No.	Part No.	Description
1.	<b>3318115</b>	HY-86-A	Push Button Kit – includes Push Button, Flange, Spring & Set Screw
2.	<b>0318109</b>	HY-105	Spacer Mounting Tube
3.	<b>0318125</b>	HY-95-A	Mounting Flange Kit – includes Mounting Flange, Mounting Nut, Screws (2), Nuts (2) & Washers (2)
4.	<b>0318123</b>	HY-4-A	RB Actuator Assembly
5.	<b>0318019</b>	HY-20-A	Inner Bushing
6.	<b>0305173</b>	HY-4	RB Body Hyd Actuator

NOTE: Includes HY-32-A cartridge (0318031)  
NOTE: Maximum distance from button to valve is 20' (longer tubing required)  
NOTE: HY-30 84" longer tubing (0318094)

**HY-125-A (0318183)  
METAL PUSH BUTTON  
FIXTURE WALL (FW VARIATION)**



Item No.	Code No.	Part No.	Description
1.	<b>0318002</b>	HY-1	CP Button Flange
2.	<b>0318111</b>	HY-105	Spacer Mounting Tube
3.	<b>0318003</b>	HY-2	RB Mounting Nut
4.	<b>0318067</b>	HY-123-A	Push Button Assembly
5.	<b>0318078</b>	HY-50-A	Actuator Assembly

NOTE: Includes HY-32-A cartridge (shown below)  
NOTE: Maximum distance from button to valve is 20' (longer tubing required)  
NOTE: HY-30 84" longer tubing (0318094)

