

**CODE NUMBER**

3324077

**DESCRIPTION**

4" Trim Plate, Battery Power Supply, Mixer Not Included, Polished Chrome Finish, 1.5 gpm, Aerated Spray, Infrared Sensor, BASYS® Battery-Powered Deck-Mounted Mid Body Faucet.

**DETAILS**

- Flow Rate: 1.5 gpm (6 Lpm) (1.5GPM)
- Spray Type: Aerated (AER)
- Sensor Type: Infrared (IR)
- Mounting Type: Single Hole
- Trim Plate: 4" (102mm) (4)
- Power Supply: Battery (BAT)
- Temperature Mixer: Mixer Not Included
- Finish: Polished Chrome (CP)
- Factory Default Timeout: 10s
- Factory Default GPC: 0.75

**FEATURES**

Commercial Grade, ADA Compliant, Electronic, Sensor-Activated, Die-Cast Metal Hand Washing Faucet with the following features:

- One tool service
- All wetted components to be stainless steel, engineered thermoplastic, EPDM, and copper or copper alloy
- Solenoid housed in removable carrier that includes supply strainer
- Integral water supply shut off
- Supply strainer serviceable from above deck
- Vandal resistant spray insert, key housed inside faucet body
- All electronics sealed to IP-188
- Gold plated electrical contacts
- Above deck individual diagnostic indicators for battery life, solenoid condition, and power up mode
- Flexible, high pressure supply hoses, 3/8" compression connections
- Bi-stable magnetic solenoid
- Four (4) "AA" alkaline batteries
- Double infrared sensors with automatic setting feature Includes all mounting hardware
- Line purge mode, eliminates stagnant water
- Adjustable time-outs
- Standard Bowed Crown

**ELECTRICAL SPECIFICATIONS**

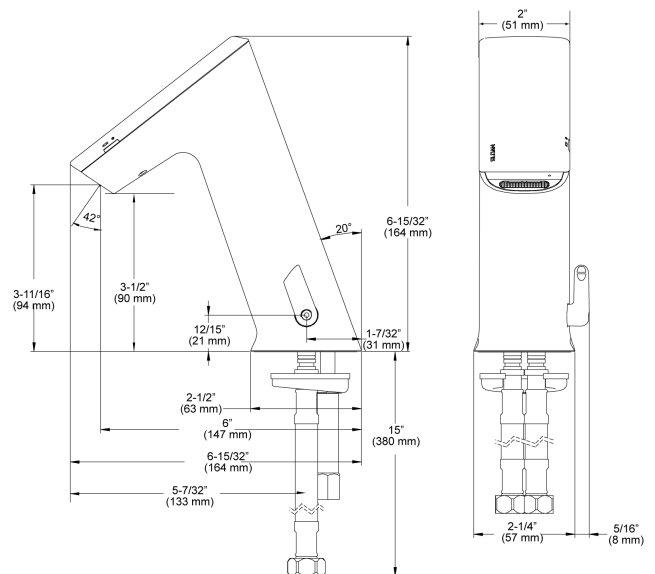
- Battery Life: 3 years
- Self-Adjustment Range: 2"-14" (51-356mm)
- Sensor Range: 4"-5" (102-127mm)
- Timeout Adjustment Settings: 30s

**VIDEOS**

- ▶ BASYS® Faucet Installation and Features



Variation not shown: 4" Trim Plate



**COMPLIANCES & CERTIFICATIONS**



(ADA Compliant, UL Certified, CEC Compliant, cUPC Low Lead Compliant)

**RECOMMENDED SPECIFICATION**

Sloan BASYS Model No. EFX-250.\_\_\_\_.\_\_\_\_ Infrared Sensor Activated Electronic Handwashing Faucet for pre-tempered or hot/cold water supplies. Product to have double infrared sensors with automatic setting feature. Solenoid valve housed in removable carrier that closes water supply upon removal, eliminating need to access control stops. Solenoid carrier includes strainer for easy above deck service. Thermostatic mixer ordered separately to comply with ASSE 1070 requirements. The product shall be tested and certified to industry standards: ASME A112.18.1M, CSA B125.1, California

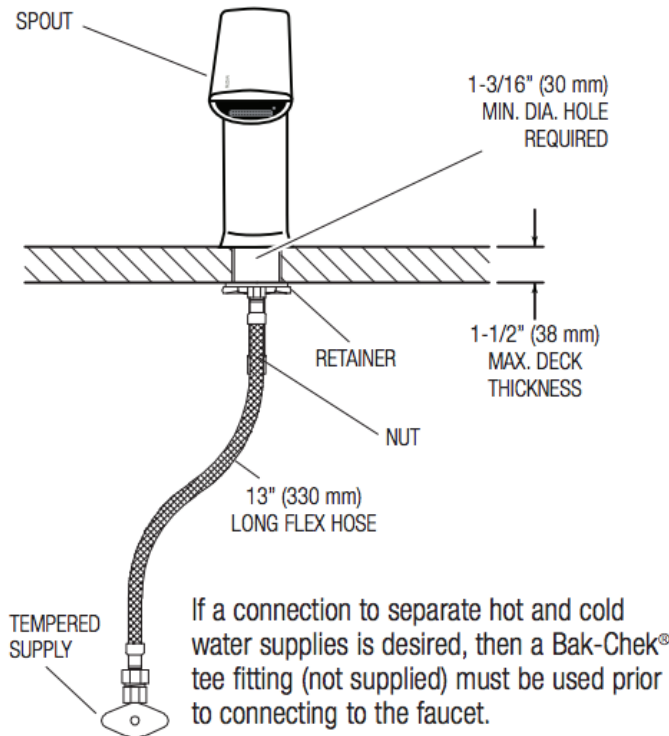
BASYS® Faucet Installation Mid Height Model

**DOWNLOADS**

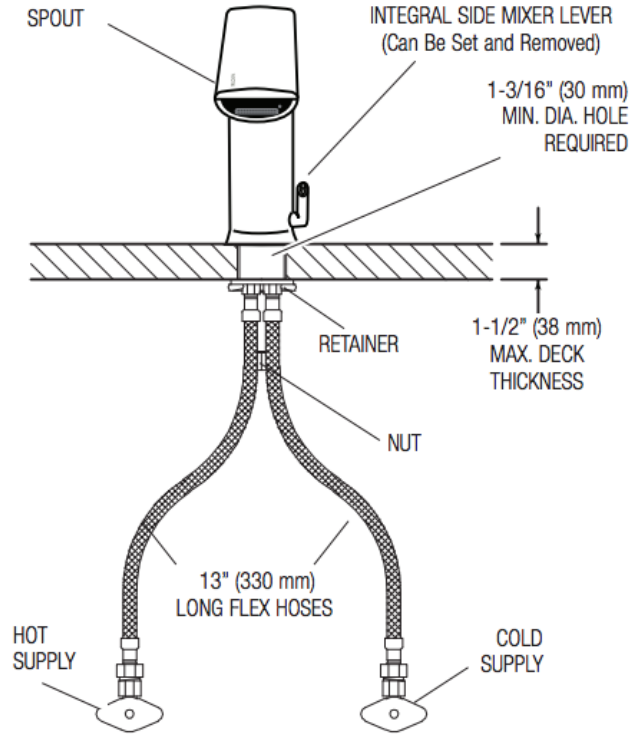
- [EFX 1Xx/2Xx Installation Instructions](#)
- [EFX 1Xx/2Xx \(SP\) Installation Instructions](#)
- [EFX 1Xx/2Xx Caddy Replacement Installation Instructions](#)
- [Trim Plates Repair and Maintenance Guide](#)
- [IR FAQs Repair and Maintenance Guide](#)
- [IR FAQs SP Repair and Maintenance Guide](#)
- [EFX-2XX Repair and Maintenance Guide](#)
- [Additional Downloads](#)

**ROUGH-IN**

**EFX-250.00X.XXXX**  
**Faucet with Single Line Water Supply**



**EFX-250.50X.XXXX**  
**Faucet with Hot and Cold Water Supply**



Health and Safety Code 116875 (AB1953-2006), and Vermont Bill S.152. This product meets ADA ANSI/ICC A117.1 requirements.

**NOTES**

All information contained within this document subject to change without notice.

Looking for other variations of the EFX-250 product? [View the general spec sheet with all options.](#)

[Find a matching soap dispenser](#) for this faucet.

[Find a compatible sink](#) for this faucet.

**WARRANTY**

3 Year