

► **Code Number**
3873145

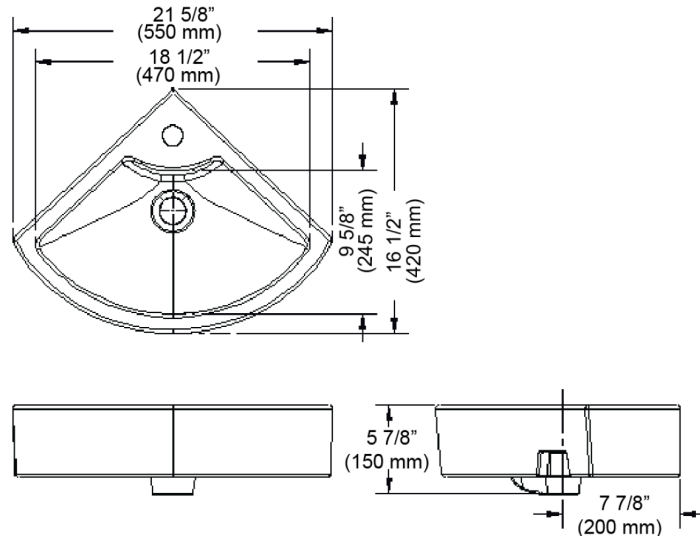
► **Description**
Vitreous china wall mounted corner lavatory

- **Fixture Specification**
- White Vitreous china
 - Rear Overflow
 - Single Hole Centerset
 - 16-1/2" x 15" x 6" (419mm x 381mm x 154mm)
 - Mounting hardware Included

► **Product Specification**

- Sink shall be made of vitreous china with a rear overflow. Sink shall be wall mounted and shaped to fit into a corner. Sink shall have a single faucet hole. Sink shall be Sloan Model SS-3145

- **Notes**
- All information contained in this document subject to change without written notice
 - NOTE: All vitreous china dimensions shown in these drawings are nominal and not to scale. Dimensions can vary within the tolerances established in the governing ASME A112.19/CSA B45.1 standard. It is important to consider this when planning rough-in and plumbing layouts.



► **Compliance & Certifications**



This space for Architect/Engineer Approval