

► **Code Number**

3873004

► **Description**

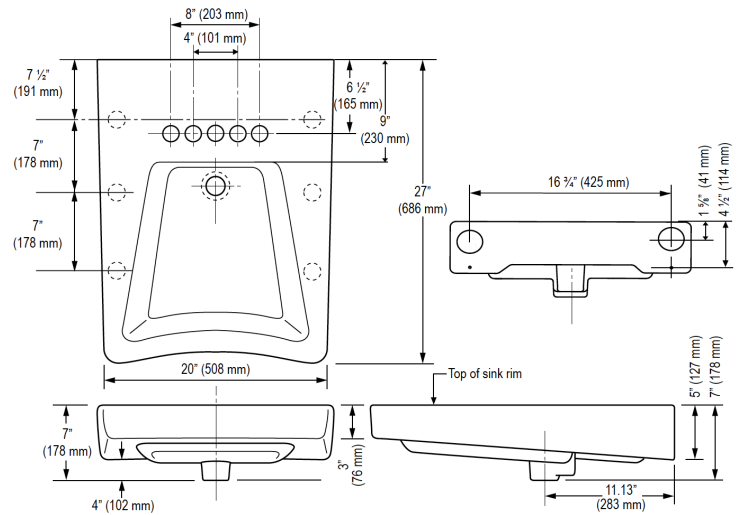
Vitreous china wall mounted ADA wheelchair lavatory

► **Lavatory**

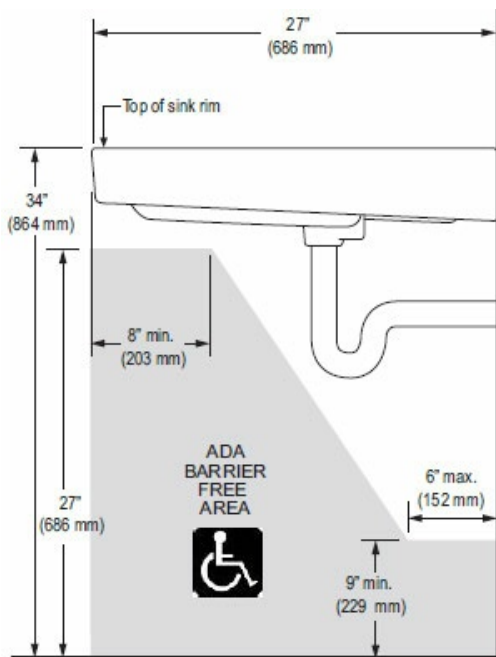
- White vitreous china
- Wall mount
- Hole drillings on 4" (101 mm) center
- Rear Overflow
- 20" (508 mm) x 27" (686 mm)
- Carrier not included

► **Product Specification**

Sink shall be made of vitreous china. Sink shall be wall mounted. Sink shall have an overflow. Sink shall have hole drillings on 8" center. Sink shall be Sloan Model SS-3804.



► **ROUGH-IN**



► **Disclaimer**

All information contained within this document subject to change without notice.

NOTE: All vitreous china dimensions shown in these drawings are nominal and not to scale. Dimensions can vary within the tolerances established in the governing ASME A112.19.2/CSA B45.1 standard. It is important to consider this when planning rough-in and plumbing layouts.

► **Compliance & Certifications**



This space for Architect/Engineer Approval