

► **Description**

Deluxe Single Station Stainless Steel Scrub Sink with Sloan OPTIMA® Sensor Activated Faucet.

► **Specifications**

Deluxe Single Station Stainless Steel Scrub Sink with Sensor Activated, 24 VAC, Chrome Plated Brass Hand Washing Faucet with the following features:

- Sink constructed from 14 gauge, Type 304 stainless steel with bead blast finish on sink bowl interior for superior wash-down characteristics
- Cabinet constructed from 14 gauge, Type 304 stainless steel with brushed stainless
- 1½" stainless steel dome strainer with integral tailpiece and P-Trap
- "Z-clip" wall hangers for mounting (fasteners by others)
- Unit supplied with 20" flexible supply hoses
- Sloan OPTIMA Faucet for hands-free operation
- Knee activated soap dispenser for hands-free operation
- Sink is shipped pre-plumbed for easy installation
- 18 gauge "lift-out" style front access panel for easy maintenance access

► **Sloan Optima® Faucets feature:**

- Sloan OPTIMA EL-1500-LL-S Self-adaptive Sensor with 2 second On-delay. Sensor mounted in the front edge of sink for hands-free operation.
- Splash-proof Control Modules with Troubleshooting LED Indicator Lights
- Filtered Solenoid Valve with serviceable "Y" Strainer Filter
- Chrome Plated, Brass, Deck Mounted Gooseneck Spout with Surgical Bend
- 2.2 gpm (8.3 Lpm) maximum Pressure Compensating Laminar Spray Head ("C" Variation) or 2.2 gpm (8.3 Lpm) maximum Pressure Compensating Shower Spray Head ("H" Variation)
- 120 VAC/24 VAC Plug-in Transformer

► **Variations**

See OPTIMA Accessories section of the Sloan website for information on Temperature Control and Mixing Valves.

- BDT - Below Deck Thermostatic Mixing Valve



► **Automatic**

The Sloan OPTIMA® Hand Washing Sink with Electronic Hand Washing Faucet operates by means of an infrared sensor. Once the user enters the sensor's effective range, the Solenoid activates the water flow. Tempered water flows from the Faucet until the user steps away. The Faucet then automatically shuts off.

► **Hygienic**

The ultimate in sanitary protection — there are no handles to turn or buttons to push. Helps to control the spread of infectious diseases. Ideal for health care installations.

► **Economical**

Automatic operation provides energy savings. Reduces maintenance and operating costs. Designed for quick and easy installation.

► **Compliance & Certifications**

Sloan Electronics are:



Sloan Optima Faucets are:



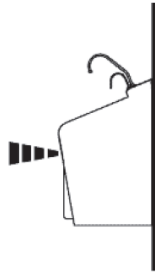
This space for Architect/Engineer Approval

► **OPERATION**

SLOAN 10500 SEYMOUR AVE. • FRANKLIN PARK, • IL. 60131

Ph: 1-800-9-VALVE-9 or 1-847-671-4300 • Fax: 1-800-447-8329 or 1-847-671-4380 • <http://www.sloan.com>

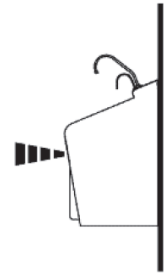
1. A continuous invisible beam of infrared light is emitted from the sensor located at the top front edge of the sink.



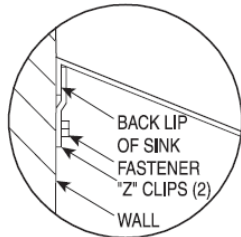
2. As the user enters the beam's effective range, the beam is reflected back into the sensor receiver and activates the solenoid valve. Tempered water flows from the faucet into the sink until the user is no longer detected.



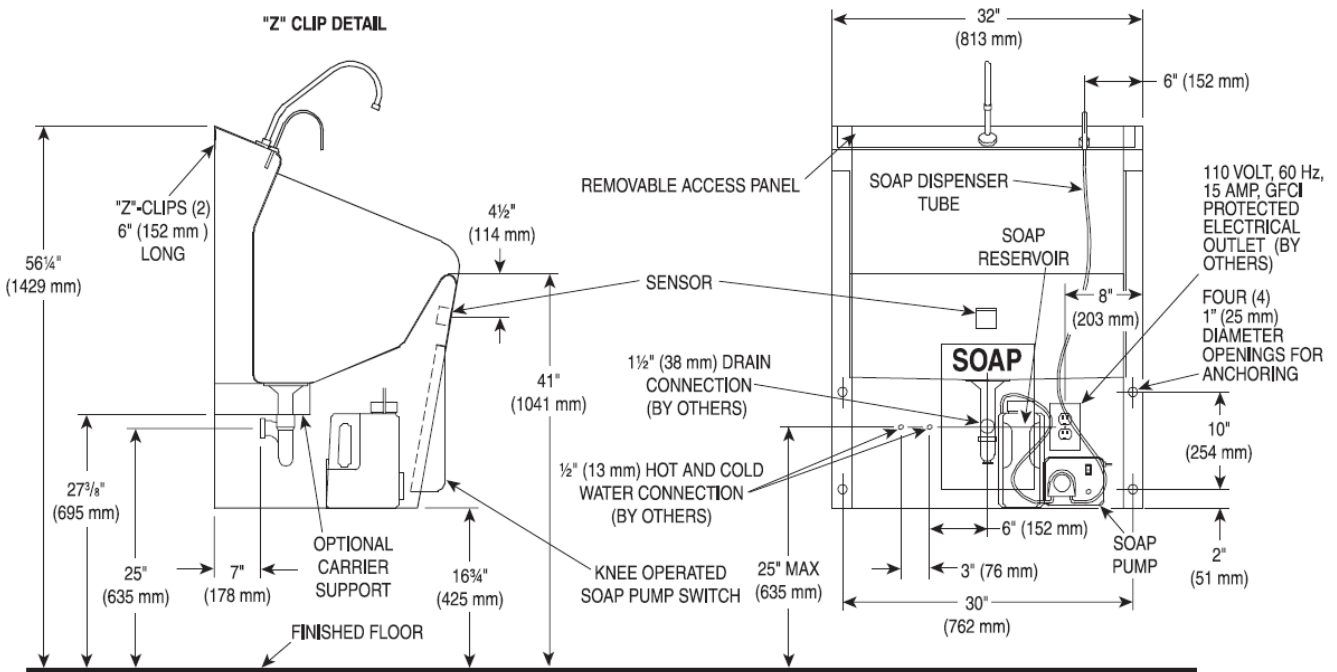
3. When the user moves away from the sensor, light is no longer reflected to the sensor. An electrical signal then deactivates the solenoid valve, stopping the water flow. The circuit then automatically resets and is ready for the next user.



► ROUGH-IN



"Z" CLIP DETAIL



► Code Number

16011196