

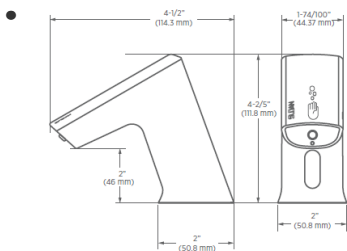
### ► Description

Step up to the future of sustainable restroom design — the AER-DEC™ Integrated Sink. The AER-DEC is the perfect innovation for any high-end washroom. Soap dispenser, faucet, hand dryer, and sink basin are designed to work together as one beautiful, touch-free, hygienic, highly efficient system.

### ► Specification

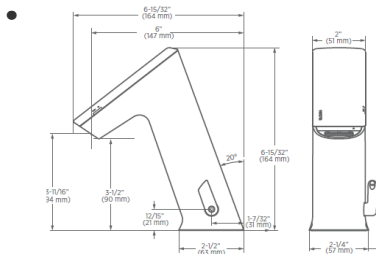
- Built in air dam technology that eliminates backsplash and updrafts
- A monolithic console
- Surface, alcove, or floating mounting options
- Basins can be sized to project requirements
- Easy installation
- ADA compliant if properly installed

### ► Sloan® Soap Dispenser



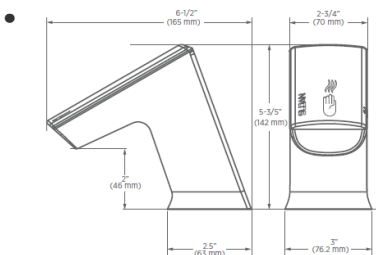
- ESD-400 Electronic Foam Soap Dispenser
- 120 VAC
- ANSI 117.1
- UPC, IPC, NPC Canada, California Green Building Code, City of Los Angeles Water Efficiency Ordinance

### ► BASYS® Faucet



- ASME A112.18.1/CSA B125.1, NSF 372, ANSI 117.1
- UPC, IPC, NPC Canada, California Green Building Code, City of Los Angeles Water Efficiency Ordinance
- Refer to BASYS Series Faucet specification for complete details

### ► Sloan® Hand Dryer



- EHD-510 Hand Dryer
- ANSI 117.1, UL499
- UPC, IPC, NPC Canada, California Green Building Code, City of Los Angeles Water Efficiency Ordinance



### ► Size

30"

### ► Material

DuPont™ Corian® or Quartz (Silestone® or DuPont™ Zodiaq®)

### ► Colors

For a complete list of Corian colors see <http://www.dupont.com/products-and-services/construction-materials/surface-design-materials/brands/corian-solid-surfaces/products/corian-all-colors.html>

For a complete list of Zodiac quartz colors <http://www.dupont.com/products-and-services/construction-materials/surface-design-materials/brands/zodiaq-quartz-surfaces/products/zodiaq-all-colors.html>

For a complete list of Silestone quartz colors <http://www.silestoneusa.com/colors/>

### ► Legislative Compliance

Federal Reduction of Lead in Drinking Water Act Law 111-380 (contains no more than 0.25% weighted average lead content), Section 116875 of the California Health & Safety Code, and Vermont Lead Reduction Law (Vermont Act 193). ADA Compliant

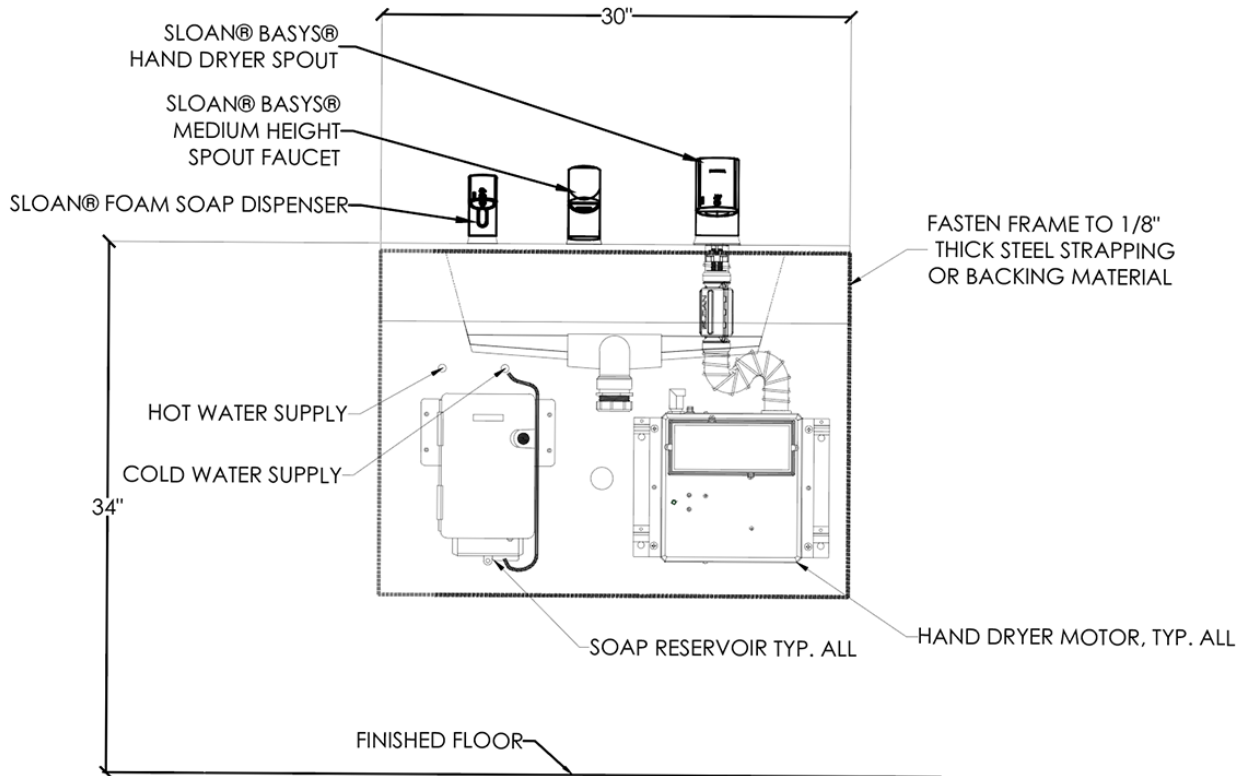
### ► Compliance & Certifications



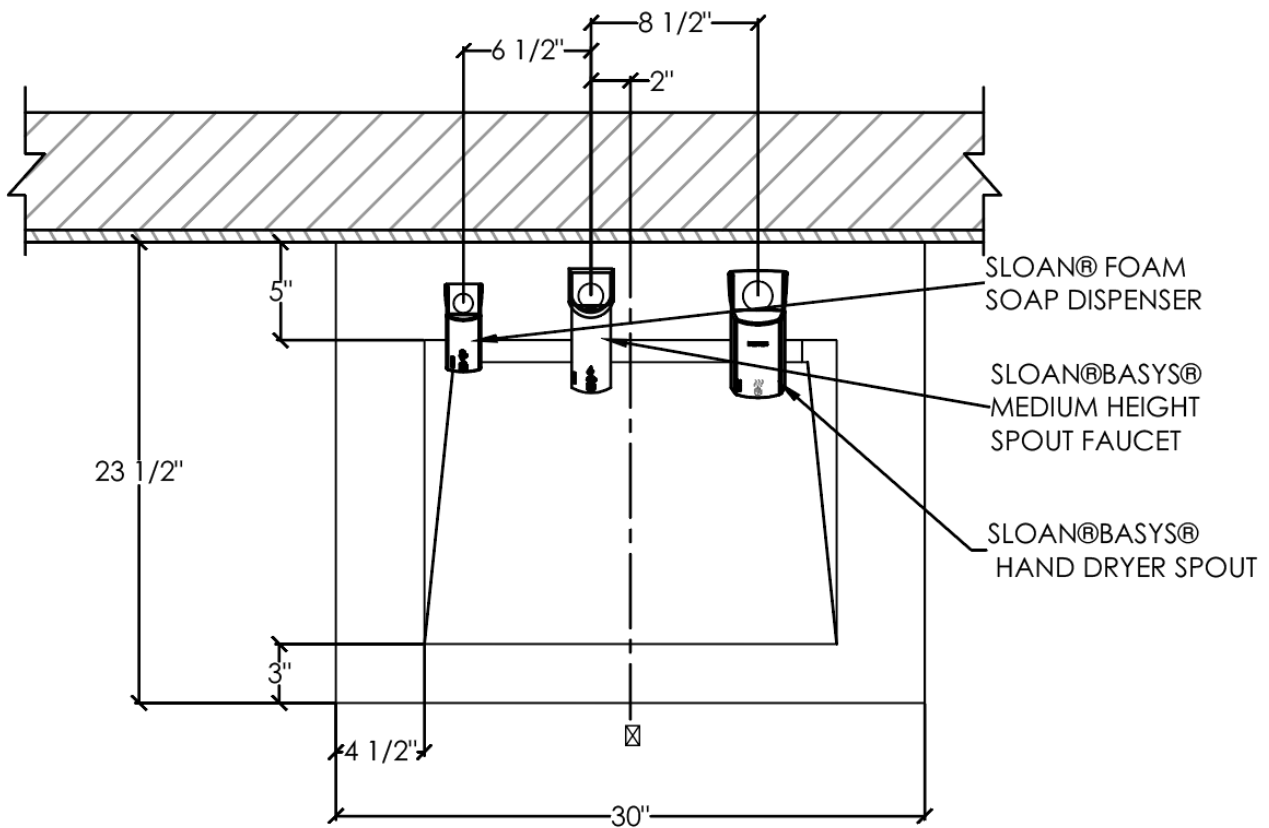
ASME A112.18.1/CSA B125.1, ANSI 117.1, IGC156, CSA B45.5/IAPMO Z124

UPC, IPC, NPC Canada, California Green Building Code (CALGreen), City of Los Angeles Water Efficiency Ordinance

This space for Architect/Engineer Approval



AER-DEC™ 1 STATION FRONT ELEVATION



► Code Number  
15121161

SLOAN 10500 SEYMOUR AVE. • FRANKLIN PARK, • IL. 60131

Ph: 1-800-9-VALVE-9 or 1-847-671-4300 • Fax: 1-800-447-8329 or 1-847-671-4380 • <http://www.sloan.com>