

► **Description**

Exposed, Hardwire, Sensor Activated Sloan® ECOS® Hardwire Urinal Flushometer with Smart Sense Technology™.

► **Code Number**

3370440

► **Flush Cycle**

0.125 gpf/0.5 Lpf

► **Specifications**

Quiet, Exposed, Diaphragm Type, Chrome Plated Urinal Flushometer for either left or right hand supply (includes 9" electrical cable, right hand electrical rough-in may require 18" cable-consult factory) with the following features:

- Spud coupling and flange for 3/4" top spud
- Initial Set-up Range Indicator Light (first 10 minutes)
- Sweat solder adapter with cover tube and cast wall flange with set screw
- Stop Seat and Vacuum Breaker Molded from PERMEX® Rubber Compound for Chloramine resistance
- Infrared Sensor with Multiple-focused, Lobular Sensing Fields for high and low target detection
- Latching Solenoid Operator
- Fixed Metering Bypass and No External Volume Adjustment to Ensure Water Conservation
- Flex Tube Diaphragm designed for improved life and reduced maintenance
- Engineered Metal Cover with replaceable Lens Window
- Line Powered with 6 VAC Step Down Transformer
- 3/4" I.P.S. Screwdriver Bak-Chek® Angle Stop
- Free Spinning, Vandal Resistant Stop Cap
- ADA Compliant Sloan® ECOS® Electronic Infrared Sensor for automatic "No Hands" operation

Valve Body, Tailpiece and Control Stop shall be in conformance with ASTM Alloy Classification for Semi-Red Brass. Valve shall be in compliance with the applicable sections of ASSE 1037. Installation conforms to ADA requirements.

- Courtesy Flush® Override Button
- Flush accuracy controlled by CID® technology

► **Accessories (Sold Separately)**

EL-386 Transformer Plug-In (120 VAC/6 VAC)

EL-451 Transformer Box-Mount (120 VAC/6 VAC 25VA)

See Accessories Section and Sloan ECOS® accessories section of the Sloan catalog for details on these and other Sloan ECOS® flushometer variations.



► **Fixtures**

Consult factory for matching Sloan brand fixture options.

► **Functional & Hygienic**

Touchless, sensor operation eliminates the need for user contact to help control the spread of infectious diseases.

► **Manual Operation**

Sloan ECOS® Hardwired Urinal Flushometers are offered with an Override Button to allow a "Courtesy Flush®" for individual user comfort.

► **Automatic Operation**

Sloan ECOS® Hardwire Urinal Flushometers can also be activated via multi-lobular infrared sensor. By detecting user presence and duration, the Sloan® ECOS® Smart Sense Technology™ will determine the proper flush volume for unequalled water efficiency.

► **Smart Sense Technology™**

The Sloan® ECOS® Flushometers are equipped with Smart Sense Technology™ which applies extended range and logic techniques to significantly reduce water usage in high use urinal applications

► **Patented**

D598,974

► **Compliance & Certifications**



This space for Architect/Engineer Approval

► Control Circuit

- Solid State
- 8 Second Arming Delay
- 120 VAC Input
- 4.5 VAC Output

► Sentinel Flush

Automatic flush once every 72 hours after the last flush. Product shipped from factory with feature turned off. Consult factory to activate.

► Sensor Type

Active Infrared

► Sensor Range

Nominal 15"-30" (381 mm-762 mm), adjustable $\pm 8"$ (203 mm)

► Operating Pressure

15 - 100 psi (104 - 689 kPa)

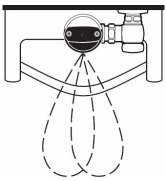
► Transformers

- Sloan Part #EL-451 (Box Mount) 120 VAC, 50/60 Hz Primary 6 VAC, 50/60 Hz Secondary Class II, 25 VA.
- Sloan Part #EL-386 (Plug-in) 120 VAC, 50/60 Hz Primary 6 VAC, 50/60 Hz Secondary Class II, 3 VA.

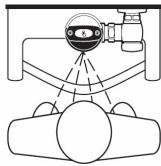
► Indicator Lights

Range Adjustment

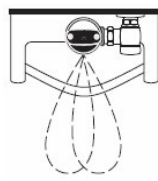
► OPERATION



1. A continuous, invisible light beam is emitted from the Sloan ECOS® Sensor.



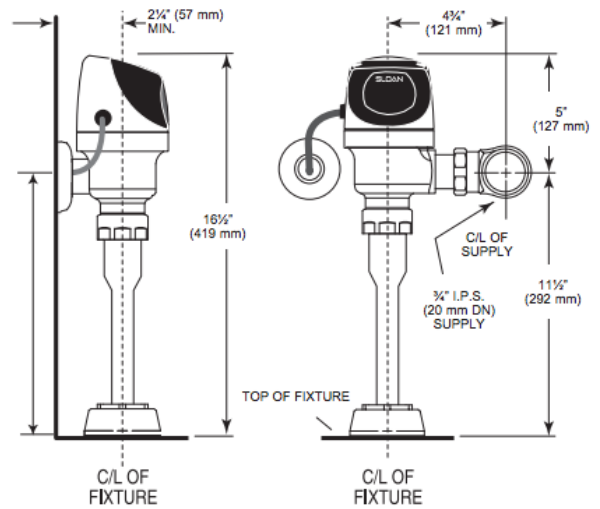
2. As the user enters the beam's effective range (15" to 30") the beam is reflected into the Scanner Window and transformed into a low voltage electrical circuit. Once activated, the Output Circuit continues in a "hold" mode for as long as the user remains within the effective range of the Sensor.



3. When the user steps away from the Sloan ECOS sensor the sensor initiates an electrical signal that operates the solenoid. This initiates the flushing cycle to flush the fixture. The circuit then automatically resets and is ready for the next user.

► ROUGH-IN

Model 186



► WIRING DIAGRAM

One 25 VA Transformer serves up to six Sloan ECOS® units.

