

► **Code Number**

3250400

► **Description**

Exposed, Battery Powered, Sensor Operated G2® Model Water Closet Flushometer for floor mounted or wall hung top spud bowls.

► **Flush Cycle**

1.6 gpf/6.0Lpf

► **Specifications**

Quiet, Exposed, Diaphragm Type, Closet Flushometer for either left or right hand supply with the following features:

- Handle Packing, Main Seat, Stop Seat and Vacuum Breaker Molded from PERMEX® Rubber Compound for Chloramine resistance
- Flex Tube Diaphragm designed for improved life and reduced maintenance
- PERMEX® Synthetic Rubber Diaphragm with Dual Filtered Fixed Bypass
- Sweat Solder Adapter with Cover Tube and Cast Set Screw Wall Flange
- Initial Set-up Range Indicator Light (first 10 minutes)
- User friendly three (3) second Flush Delay
- "Low Battery" Flashing LED
- Latching Solenoid Operator
- Fixed Metering Bypass and No External Volume Adjustment to Ensure Water Conservation
- Engineered Metal Cover with replaceable Lens Window
- ADA Compliant Battery Powered Infrared Sensor for automatic "Hands-free" operation
- Courtesy Flush® Override Button
- 1" I.P.S. Screwdriver Bak-Chek® Angle Stop with Vandal Resistant Stop Cap
- Flush accuracy controlled by CID® technology
- Spud Coupling and Flange for 1 1/2" Top Spud
- Infrared Sensor with Multiple-focused, Lobular Sensing Fields for high and low target detection
- Four (4) Size AA alkaline Batteries included: Duracell® with DURALOCK Power Preserve Technology™-guaranteed for up to 10 years in storage

Valve Body, Tailpiece and Control Stop shall be in conformance with ASTM Alloy Classification for Semi-Red Brass. Valve shall be in compliance with the applicable sections of ASSE 1037. Installation conforms to ADA requirements.



► **Automatic Operation**

Sloan G2 Optima Plus Flushometers activate via multi-lobular sensor detection to provide the ultimate in sanitary protection and automatic operation. A battery powered infrared sensor sets the flushing mechanism after the user is detected and completes the flush when the user steps away.

► **Functional & Hygienic**

Touchless, sensor operation eliminates the need for user contact to help control the spread of infectious diseases. The Optima Plus® Flushometer is provided with an Override Button to allow a "courtesy flush" for individual user comfort.

► **Economical**

Sloan installed batteries speed installation and provide years of metered flushing to control the use of water and energy. Batteries can be changed without turning off the water.

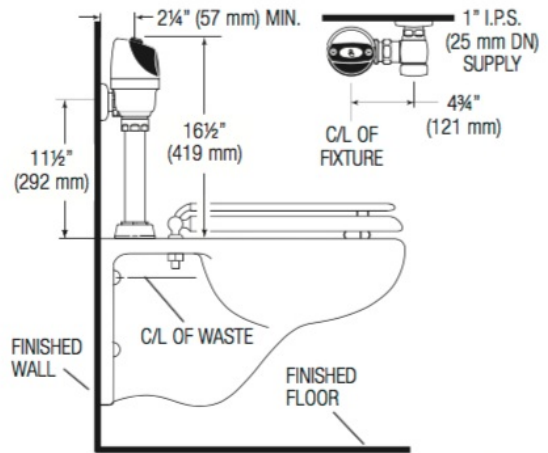
► **Compliance & Certifications**



This space for Architect/Engineer Approval

► ROUGH-IN

Typical Water Closet Installation



► Control Circuit

- Solid State
- 6 VDC Input
- 8 Second Arming Delay
- 3 Second Flush Delay

► Optional Sentinel Flush

Once Every 72 Hours After the Last Flush. Product shipped from factory with feature turned off. Consult factory to activate.

► Sensor Range

Nominal 22" - 42" (559 mm - 1067 mm) Self-adaptive Window: ± 10" (254 mm)

► Sensor Type

Active Infrared

► Indicator Lights

Range Adjustment

► Operating Pressure

15 - 100 psi (104 - 689 kPa)

► Battery Type

(4) Size AA Alkaline: Duracell® with DURALOCK Power Preserve Technology™

► Battery Life

6 Years @ 4,000 flushes/month

► OPERATION



1. A continuous, invisible light beam is emitted from the OPTIMA Plus Sensor.



2. As the user enters the beam's effective range (22" to 42") the beam is reflected into the OPTIMA Plus Scanner Window and transformed into a low voltage electrical circuit. Once activated, the Output Circuit continues in a "hold" mode for as long as the user remains within the effective range of the Sensor.



3. When the user steps away from the OPTIMA Plus® Sensor, the circuit waits 3 seconds (to prevent false flushing) then initiates an electrical signal that operates the Solenoid. This initiates the flushing cycle to flush the fixture. The Circuit then automatically resets and is ready for the next user.