



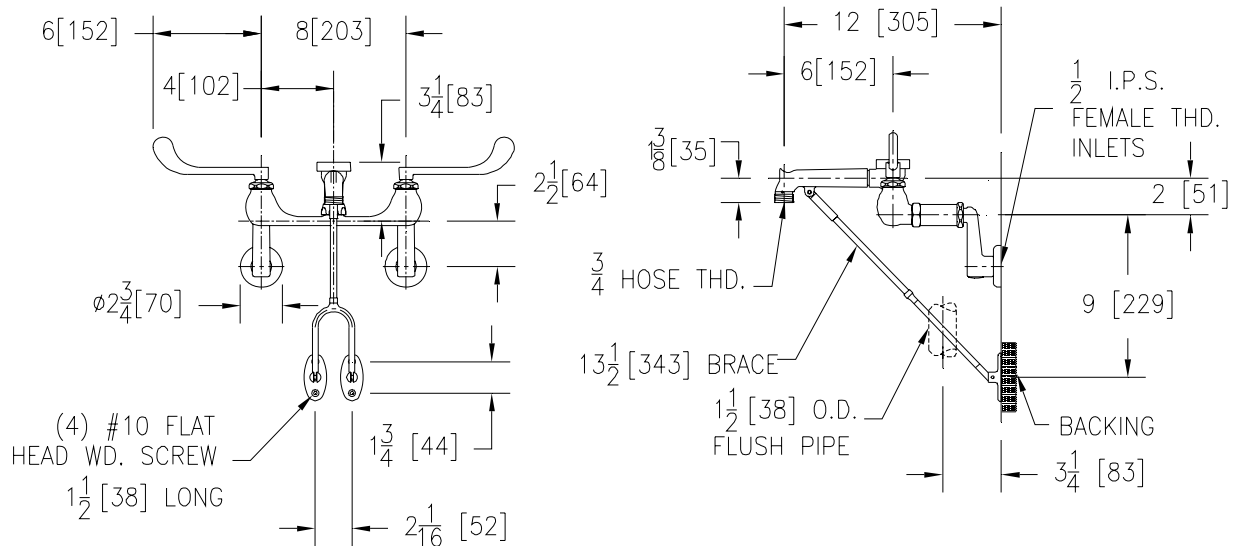
# CLINICAL SERVICE SINK FAUCET Z842D6-LSI-2XT

TAG \_\_\_\_\_



## Engineering Specification: Zurn AquaSpec® Z842D6-LSI-2XT

Polished chrome-plated cast brass 8" [203mm] clinical service sink faucet with quarter-turn ceramic disc cartridges, 3" [76mm] long swivel inlets (with integral stops) providing adjustable centers from 2 3/4" [70mm] to 13" [330mm] and a 6" [152mm] centerline cast brass vacuum breaker spout with an integral 3/4" hose threaded outlet, a pail hook and a forked bottom brace. Unit is furnished with 6" [152mm] vandal-resistant color-coded metal wrist blade handles. (Note: Atmospheric vacuum breaker not intended for continuous pressure applications.)



Note: All dimensions are for reference only. Do not use for pre-plumbing.

### OPTIONAL ACCESSORIES

Suffix	Description
___-CS	Check Stop
___-HCT	Hot/Cold Text Indexes
___-RC	Rough Chrome Plated
___-WHK	Wall Hook
___-5H	5' [152cm] Vinyl Hose

ZURN INDUSTRIES, LLC ♦ COMMERCIAL BRASS OPERATION ♦ 2640 SOUTH WORK STREET ♦ FALCONER NY 14733

Phone: 1-800-997-3876 ♦ Fax: 1-919-775-3541 ♦ www.zurn.com

In Canada: ZURN INDUSTRIES LIMITED ♦ 3544 Nashua Drive ♦ Mississauga, Ontario L4V1L2 ♦ Phone: 905/405-8272 Fax: 905/405-1292