



# LABORATORY FAUCET - DOUBLE

## Z826S1-XL



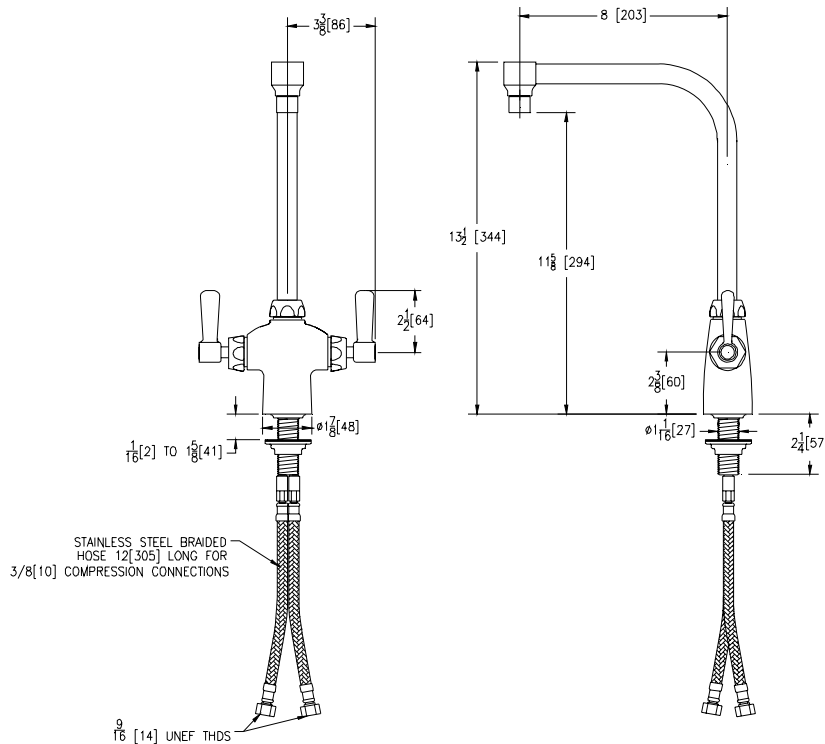
Design ID: 10152

TAG \_\_\_\_\_

### Engineering Specifications: Zurn AquaSpec® Z826S1-XL

Polished chrome-plated double laboratory faucet with integral shank, quarter turn ceramic disc cartridges and an 8" [203mm] bent riser spout. Unit is furnished with a 2.2 GPM [8.3 L] vandal-resistant pressure compensating male aerator (complying with ANSI A112.18.1 Standard for flow), 2-1/2" [64mm] vandal-resistant color-coded metal lever handles, mounting hardware and stainless steel flex connection hoses.

Zurn Lead Compliant\* "XL" products are a line of durable, high quality brass faucets and fixtures that are designed and manufactured to comply with state laws and local codes that mandate lead content levels. Zurn "XL" products are manufactured with \*not more than 0.25% lead content when used with respect to wetted surfaces of pipes and pipe fittings, plumbing fitting and fixtures: California Health & Safety Code § 116875; Vermont 9 VCA § 2470h.



Note: All dimensions are for reference only. Do not use for pre-plumbing.



### OPTIONAL ACCESSORIES

Suffix	Description
___-CST	Copper Supply Tubes
___-G	1-1/4" [32mm] Grid Strainer Drain
___-MY	Mixing Yoke Assembly Instead of Copper Supplies
___-PT	1-1/4" [32mm] Cast Brass P-Trap with a 7-1/2" [191mm] Long 17-Gauge Wall Bend
___-18FH	18" [457mm] S.S. Braided Flex Hoses

ZURN INDUSTRIES, LLC ♦ COMMERCIAL BRASS OPERATION ♦ 2640 SOUTH WORK STREET ♦ FALCONER NY 14733

Phone: 1-800-997-3876 ♦ Fax: 1-919-775-3541 ♦ www.zurn.com

In Canada: ZURN INDUSTRIES LIMITED ♦ 3544 Nashua Drive ♦ Mississauga, Ontario L4V1L2 ♦ Phone: 905/405-8272 Fax: 905/405-1292