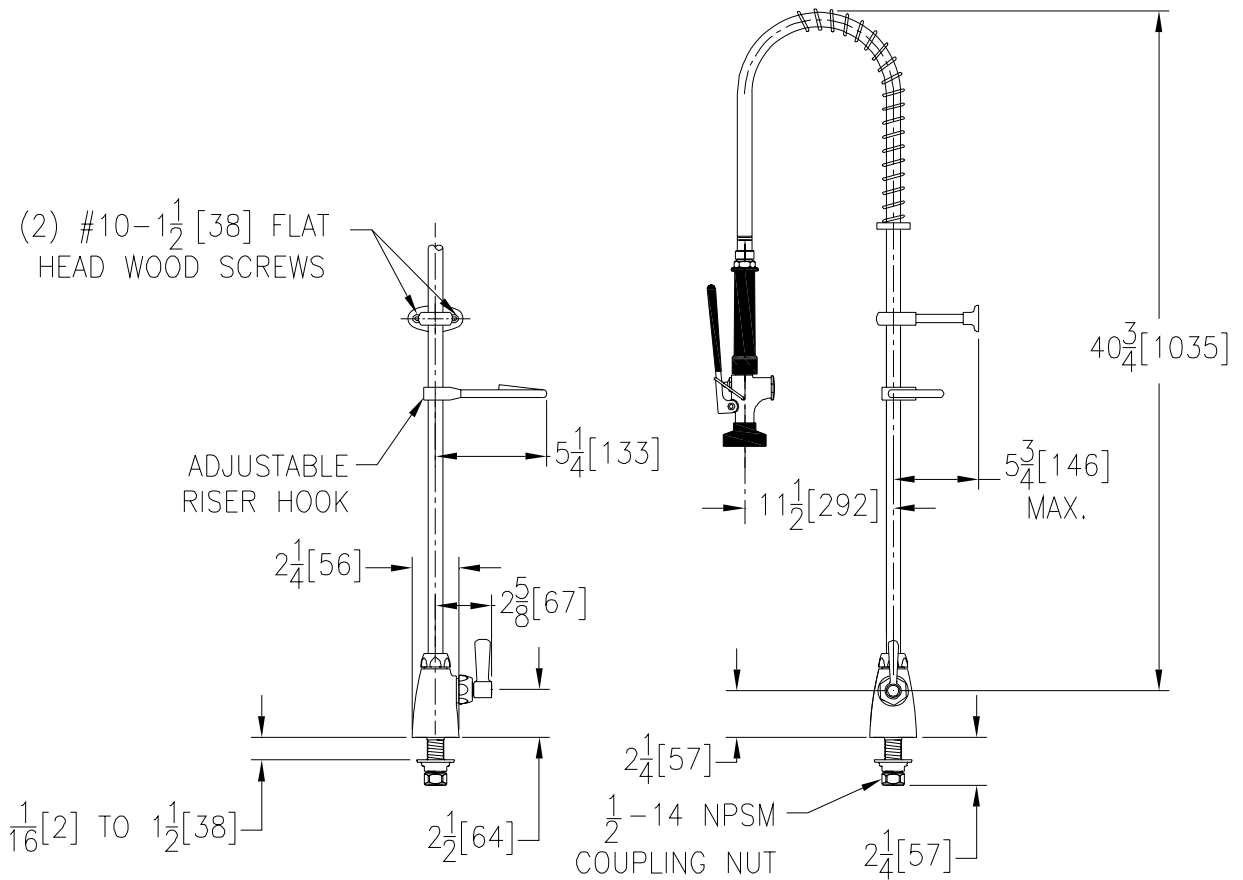


**Engineering Specification: Zurn AquaSpec® Z825X1**

Polished chrome plated deck mounted pre-rinse faucet with an integral shank, a quarter turn ceramic disc cartridge and a 2-1/2 [64mm] vandal resistant color-coded metal lever handle. Unit is furnished with a 24" [610mm] riser with a 36" [914mm] stainless steel spring hose, a self-closing 1.6 GPM @ 60 psi (6.1 L/min. @ 400 kPa) pre-rinse hand held valve with an insulated 6" [152mm] handle, a stay open clip, a protective bumper spray head, a pipe support and a hook.



Note: All dimensions are for reference only. Do not use for pre-plumbing

**OPTIONAL ACCESSORIES**

Suffix	Description
___ -AR	Anti-Rotation Pins
___ -HCT	Hot/Cold Text Indexes
___ -PR2	Pre-rinse with Angle Spray Head, Rubber Bumper Spray Outlet and Self-closing Valve
___ -PR3	Pre-rinse with Angled Aerated Outlet and Self-closing Valve

ZURN INDUSTRIES, LLC ♦ COMMERCIAL BRASS OPERATION ♦ 2640 SOUTH WORK STREET ♦ FALCONER NY 14733

Phone: 1-800-997-3876 ♦ Fax: 1-919-775-3541 ♦ www.zurn.com

In Canada: ZURN INDUSTRIES LIMITED ♦ 3544 Nashua Drive ♦ Mississauga, Ontario L4V1L2 ♦ Phone: 905/405-8272 Fax: 905/405-1292