



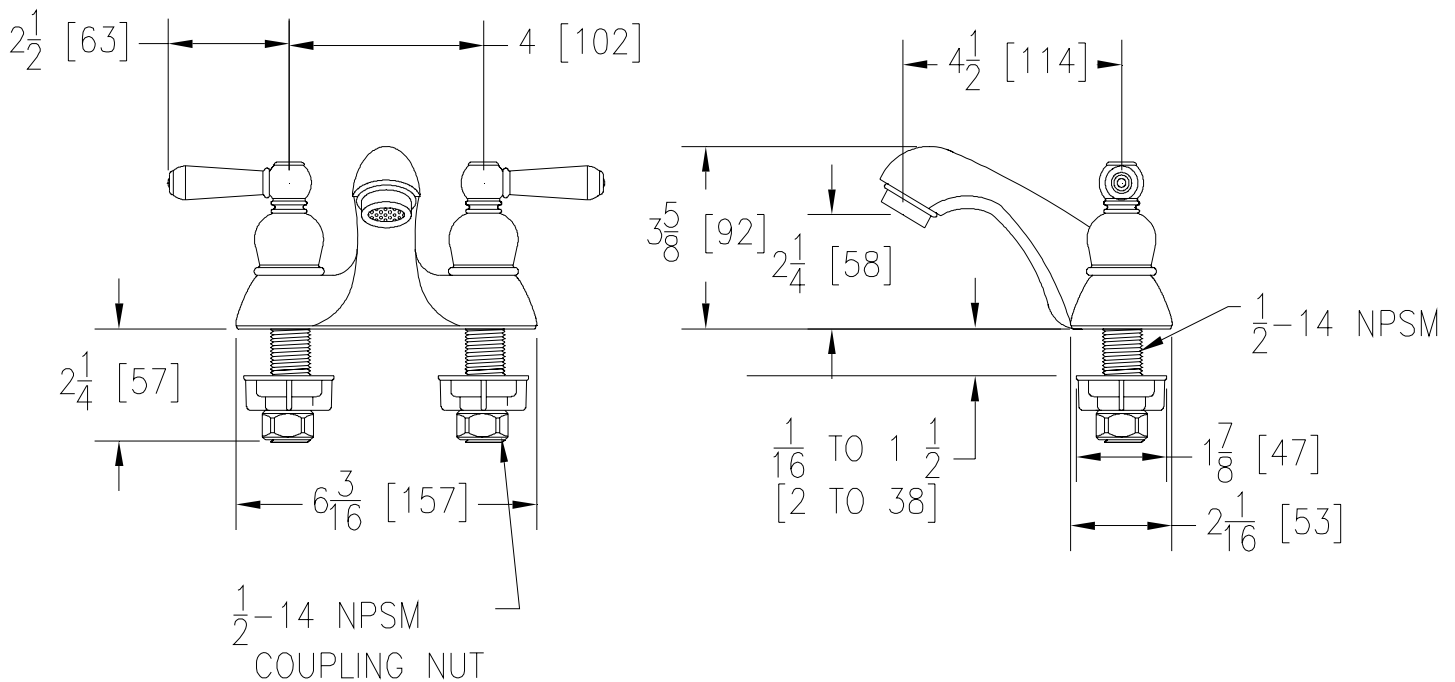
# 4" CENTERSET Z74500

TAG \_\_\_\_\_



### Engineering Specifications: Zurn AquaSpec® Z74500

Polished chrome-plated 4" [102 mm] center set faucet with integral shanks, quarter turn ceramic disc cartridges and a 4-1/2" [114 mm] centerline integral spout. Unit is furnished with a 2.0 GPM [7.6 L/min.] variable orifice aerator (complying with ANSI A112.18.1 Standard for flow), 2-1/2" [64 mm] vandal-resistant metal lever handles, mounting hardware, and 1/2" coupling nuts for standard lavatory risers.



Note: All dimensions are for reference only. Do not use for pre-plumbing.

### OPTIONAL ACCESSORIES

Suffix	Description
Recommended	
___ - G	Grid Strainer, Z8743-PC
___ - P	Pop-Up Drain, 7342-PUA
___ - PR	ADA Trap, Stop, and Supply Protectors, Z8946-1-NT
___ - PT	P-Trap, Z8700-PC
___ - STN	Satin Nickel Finish
___ - SWS	Standard Stop with Flexible Supplies, Z8800LR-PC



Optional	
___ - GH	ADA Grid Strainer, Z8746-PC
___ - PRH	ADA Trap, Stop, and Supply Protectors for Offset Grid Strainers, Z8946-3-NT

AIR DELIGHTS, INC. ♦ COMMERCIAL BRASS OPERATION ♦ 9974 SW ARCTIC DR. ♦ BEAVERTON, OR. 97005

Phone: 1-800-440-5556 ♦ Fax: 1-503-643-8224 ♦ World Wide Web: [www.airdelights.com](http://www.airdelights.com)

In Canada: ZURN INDUSTRIES LIMITED ♦ 3544 Nashua Drive ♦ Mississauga, Ontario L4V1L2 ♦ Phone: 503/352-1201 Fax: 503/643-8224