



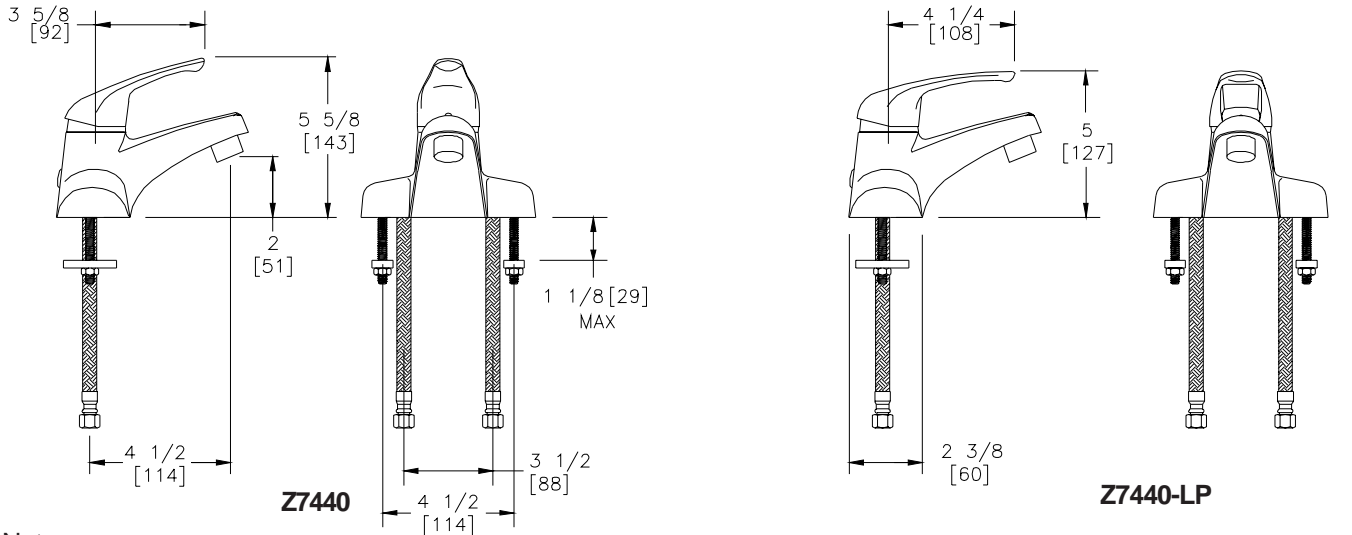
SIERRA LEAD-FREE FAUCET

Z7440

TAG _____

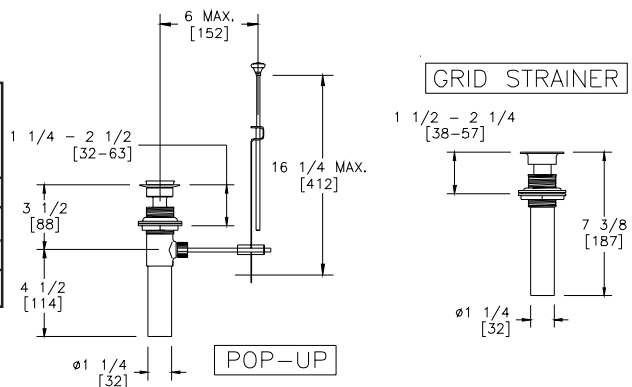


Engineering Specifications: Zurn AquaSpec® Sierra Lead-Free Faucet Z7440
 Polished chrome plated 4" [102mm] centerset single control lavatory faucet with 5" [127mm] integral spout, a ceramic disc cartridge and a temperature limit stop. Unit is furnished with 2.0 GPM [7.6L] variable orifice aerator (complying with ANSI A112.18.1M Standard for flow), an ADA compliant lever handle, 3/8" stainless steel flex hose 18" [457mm] in length with 3/8" female compression fitting.



Note:
 Dimensions subject to manufacturing tolerances. Other pipe and fittings not furnished by manufacturer.

Model No.	Lever Handle	No Pop-Up Hole	With Lift Rod Only	With Metal Pop-Up	With Grid Strainer
Z7440	X	X			
Z7441	X		X		
Z7442	X			X	
Z7443	X	X			X



OPTIONS (Check/specify appropriate options)

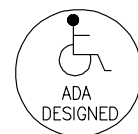
- ___ - CST Copper Supply Tubes w/ 1/2" IPS Fitting
- ___ - FC 0.5 GPM [1.9L] Vandal Resistant Aerator
- ___ - LA 2.2 GPM [8.3L] Laminar Flow Aerator
- ___ - LP Loop Handle
- ___ - STN Satin Nickel Finish
- ___ - VP 2.0 GPM [7.6L] Vandal Resistant Aerator

FLOWRATE

2.0 GPM (7.6 LPM) @ 60 PSI

STANDARDS

Lever handle models meet or exceed ANSI A117.1M Handicap specifications.



AIR DELIGHTS, INC. ♦ COMMERCIAL BRASS OPERATION ♦ 9974 SW ARCTIC DR. ♦ BEAVERTON, OR. 97005

Phone: 1-800-440-5556 ♦ Fax: 1-503-643-8224 ♦ World Wide Web: www.airdelights.com

In Canada: ZURN INDUSTRIES LIMITED ♦ 3544 Nashua Drive ♦ Mississauga, Ontario L4V1L2 ♦ Phone: 503/352-1201 Fax: 503/643-8224