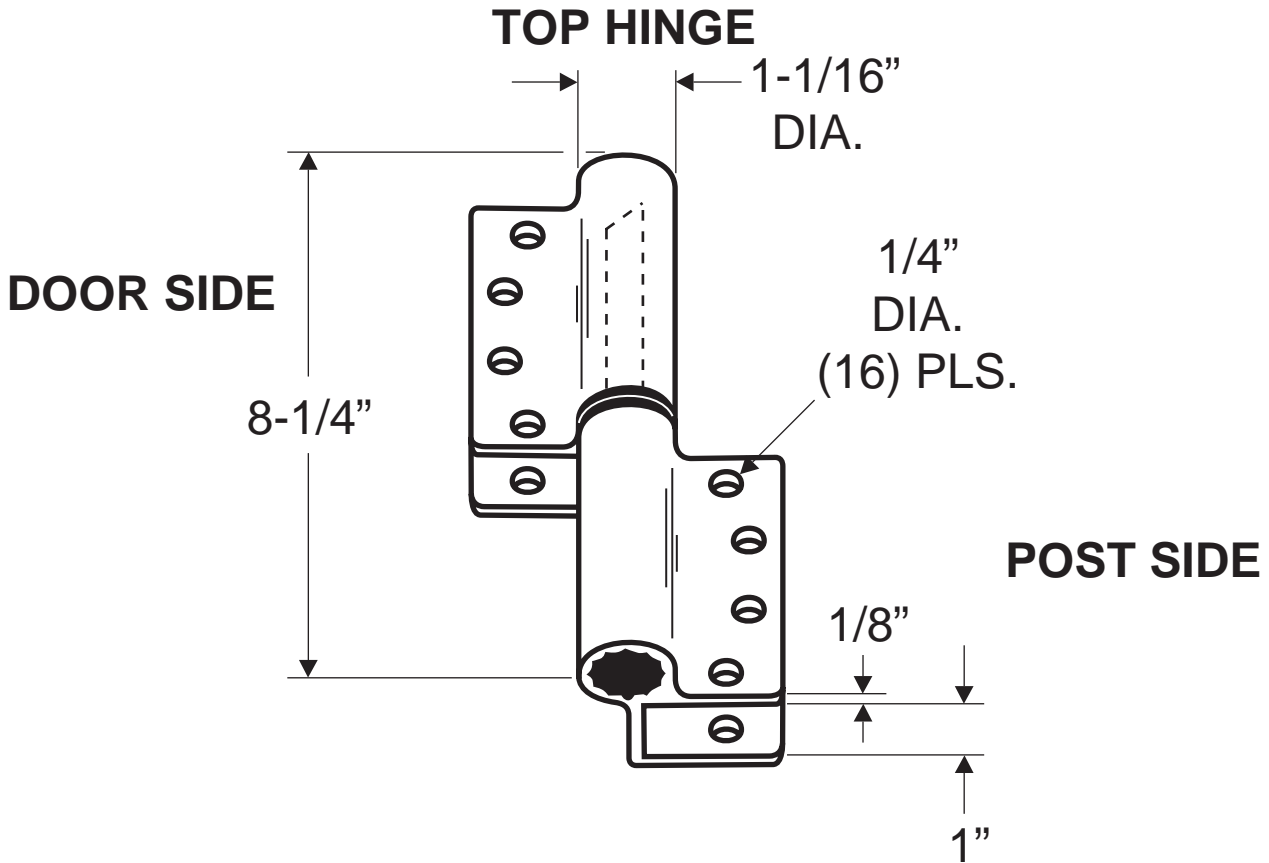
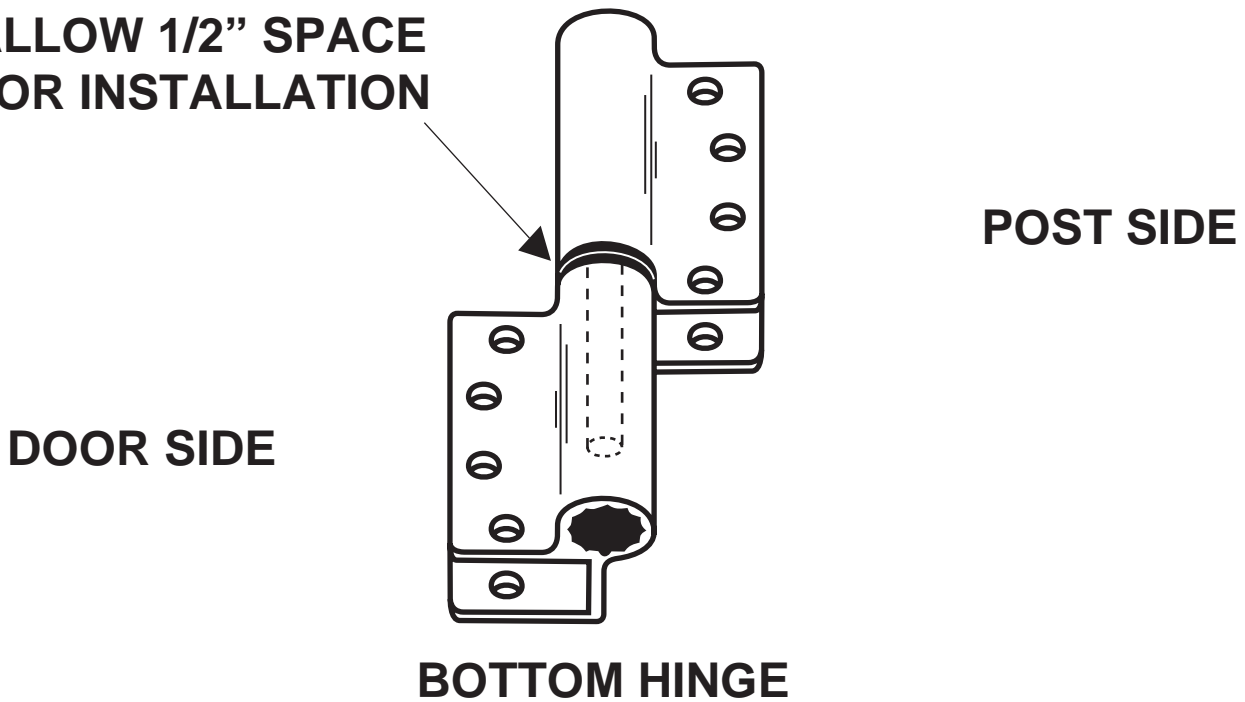


7988, 8984
(ROUND BARREL HINGE - LH-IN/RH-OUT)



* ALLOW 1/2" SPACE FOR INSTALLATION



NOTE: TOP AND BOTTOM HINGE DIMENSIONS ARE SAME

