

INSTRUCTIONS FOR INSTALLING 8643, 8649, 8653, 8659 SURFACE MOUNTED SPRING HINGE

FRONT OF HINGE

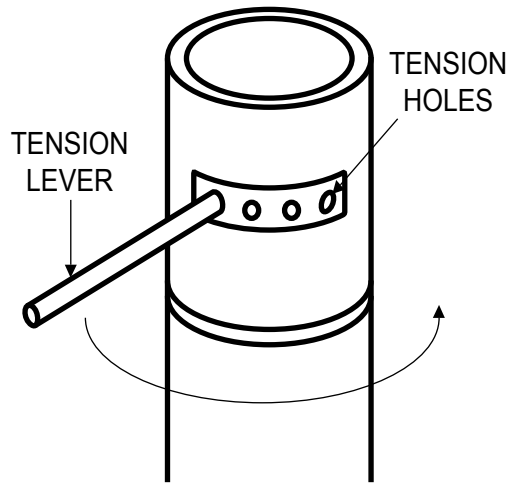


FIGURE 1

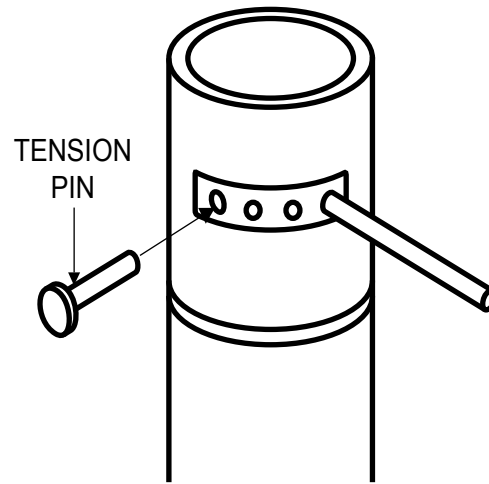
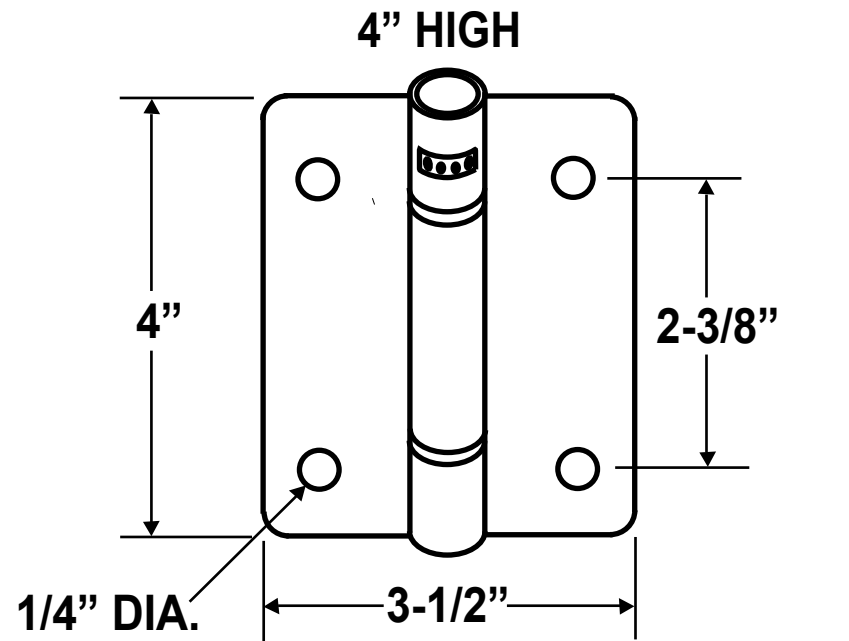
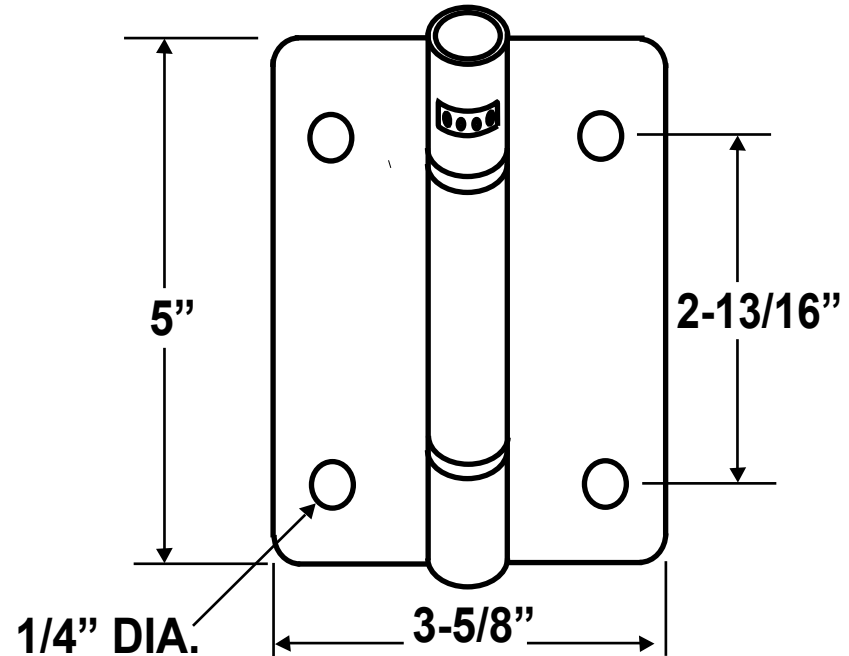


FIGURE 2

1. HINGE INSTALLATION:
Install hinges in normal manner with the tension hole cylinder at the top of the hinge.
2. CAUTION:
 - A. Always rotate the tension lever to the right, regardless of right or left handed door applications.
 - B. Do not exceed three (4) holes tension for 180 degree door opening, or four (3) holes tension for 90 degree opening.
3. ADJUSTING SPRING TORQUE:
 - A. Insert tension lever into left hand hole in adjustment cylinder and rotate tension lever to the right as shown in figure 1.
 - B. Insert tension pin to desired tension hole as shown in figure 2.
 - C. Remove tension lever and try the door for closing force.
 - D. If desired closing force is not achieved, change tension pin from one hole to the next.
 - E. Repeat steps for other hinge.



5" HIGH



3/32" THICK STAINLESS STEEL

