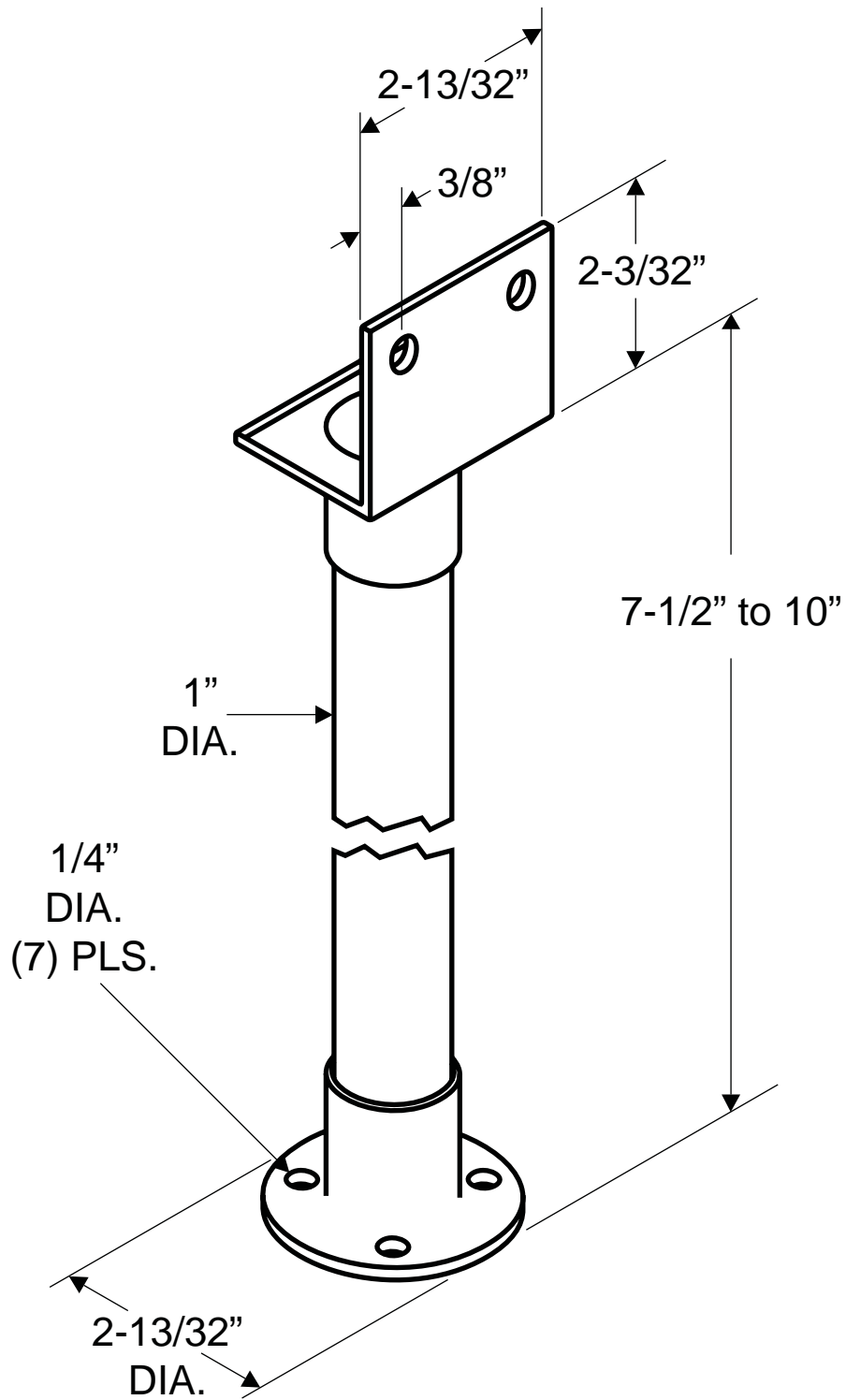


**85193
(PILASTER SUPPORT BRACKET)**



NOTE: ADJUSTS FROM 7-1/2" TO 10"