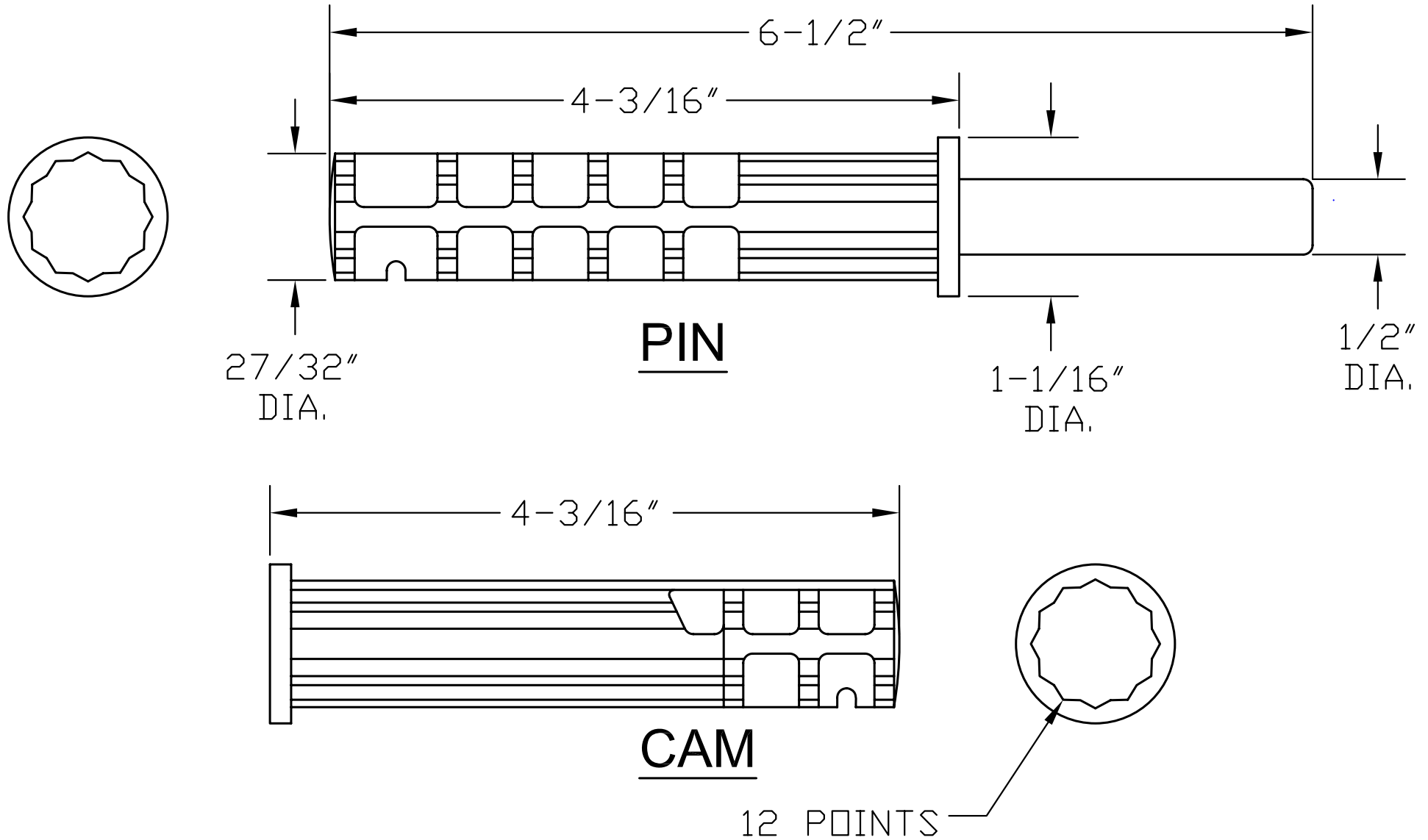


8475
CAM & PIN SET - BOTTOM



USED WITH 7978/7988 & 8974/8984 HINGE SETS.