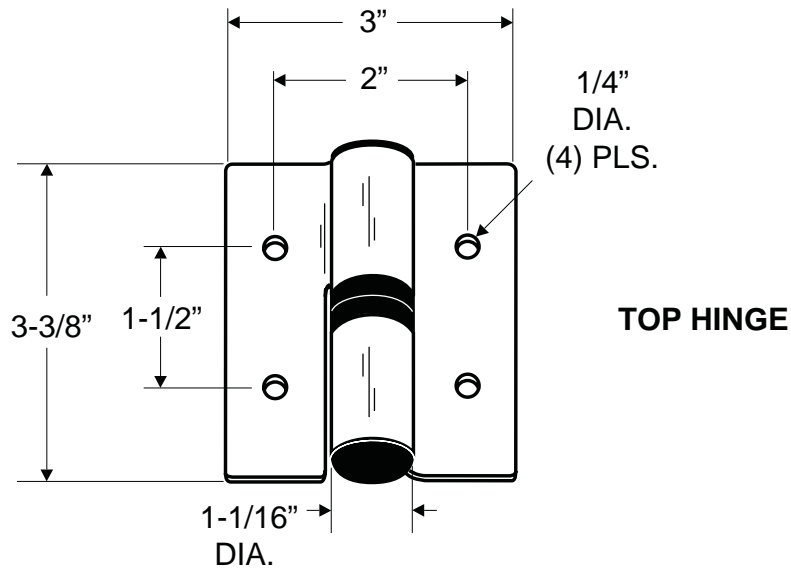
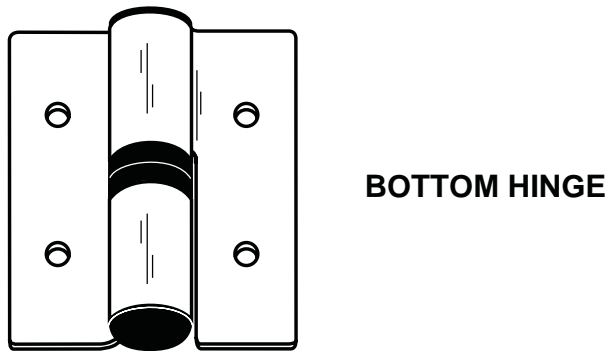


**8163, 8179
(SURFACE MOUNTED HINGE - LH-IN/RH-OUT)**



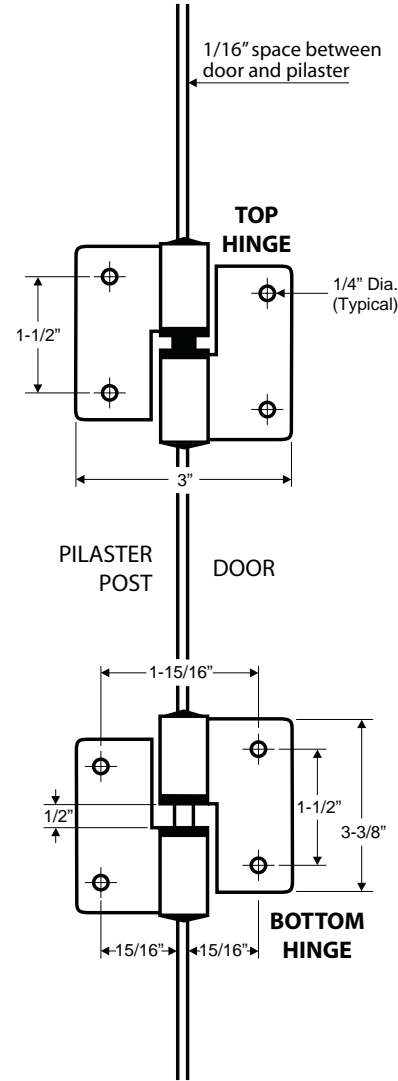
TOP HINGE



BOTTOM HINGE

**NOTE: HINGE THICKNESS AT 1/8"
TOP AND BOTTOM HINGE DIMENSIONS ARE SAME**

**INSTRUCTIONS FOR INSTALLING
8163, 8179 SURFACE MOUNTED HINGES**



RH-IN & LH-OUT

1. Locate and set hinge leafs to pilaster post as per drawing.
2. Locate and set **upper** hinge leaf to door. Adjust pintle as necessary to achieve desired closed or "at rest" position.
3. With door in "at rest" position, locate and set **lower** hinge leaf on door allowing 1/2" vertical space between hinge leaves as per drawing. This is to allow for the rise of the door when opening.
4. To adjust position of door closing, remove pintle from bottom leaf of top hinge and turn to desired position.

* WHEN SETTING HINGES WITH DOOR IN CLOSED POSITION ALLOW 1/2" SPACE FOR LIFT.

