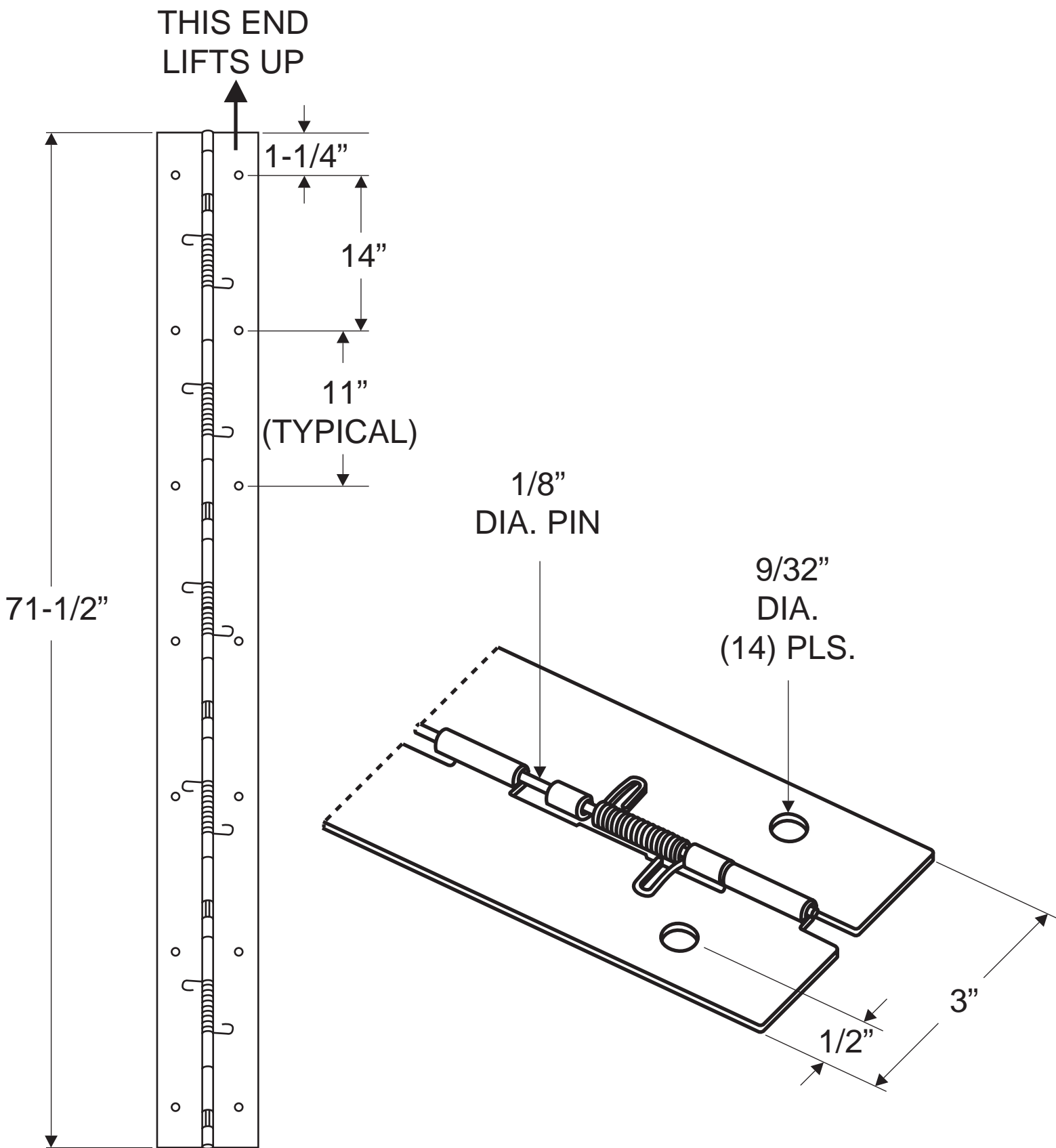


**7759**  
**(PIANO HINGE - 71-1/2" SPRING CLOSE RH-IN/LH-OUT)**



**NOTE: 16 GAUGE (.060" THICK STAINLESS)**  
**5 SPRINGS**