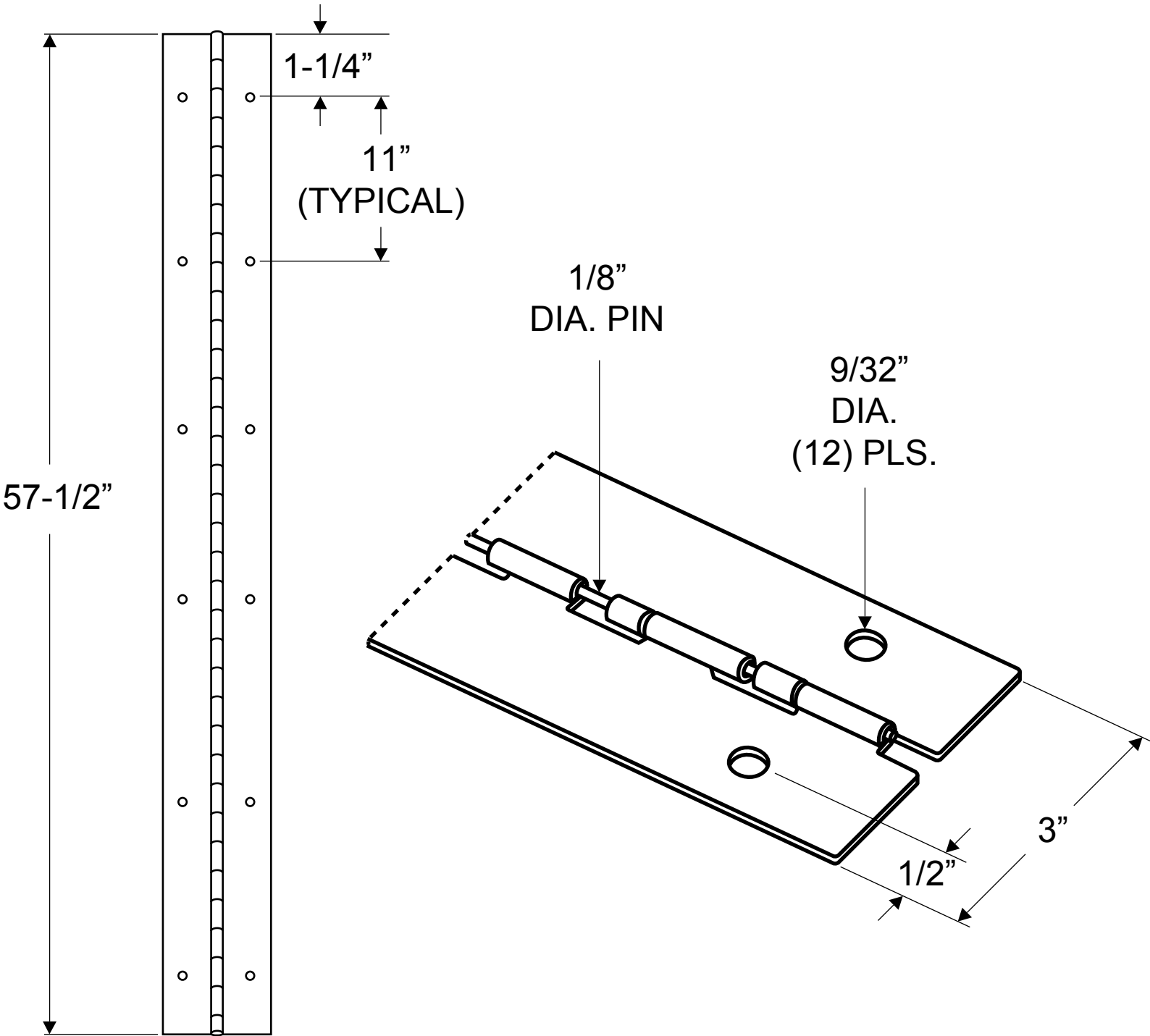


**7649
(PIANO HINGE - 57-1/2" NO SPRING)**



NOTE: 16 GAUGE (.060" THICK STAINLESS)