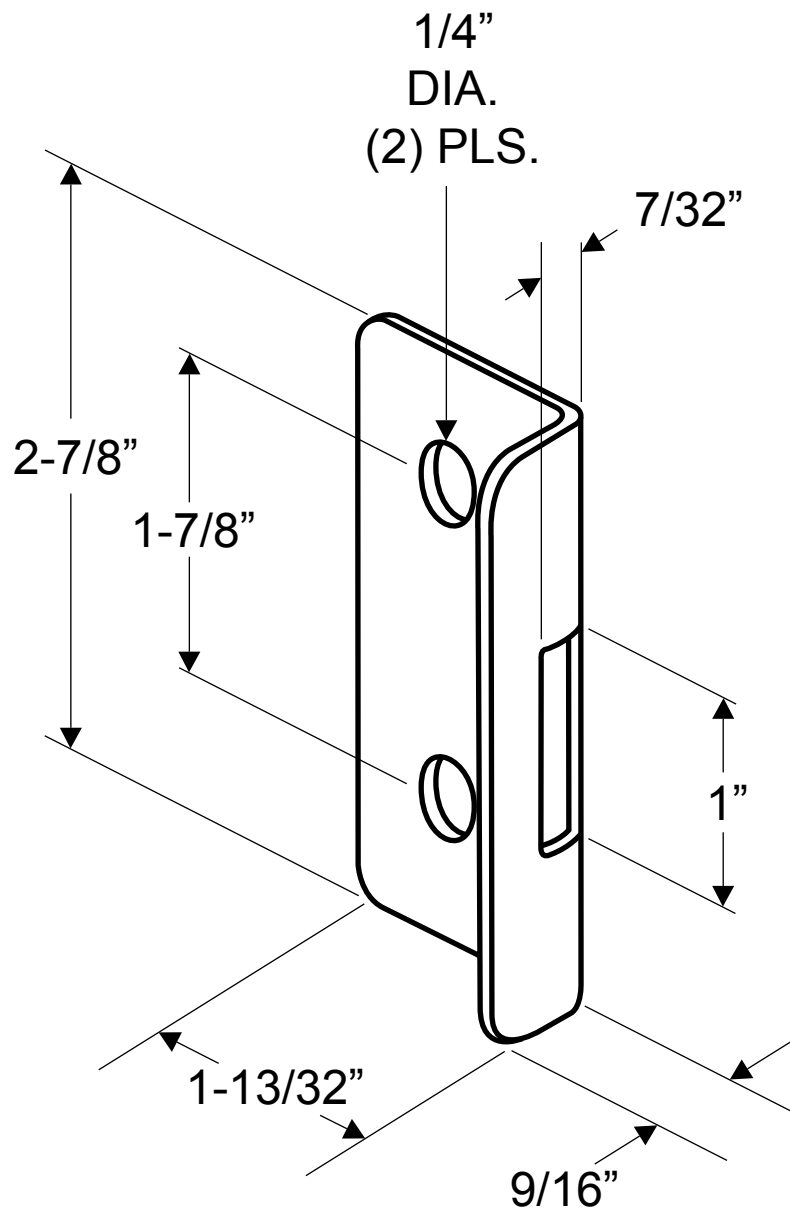


**6319
(KEEPER - INSWING)**



**NOTE: FOR SQUARE EDGE POST
14 GAUGE (.075" THICK STAINLESS)**