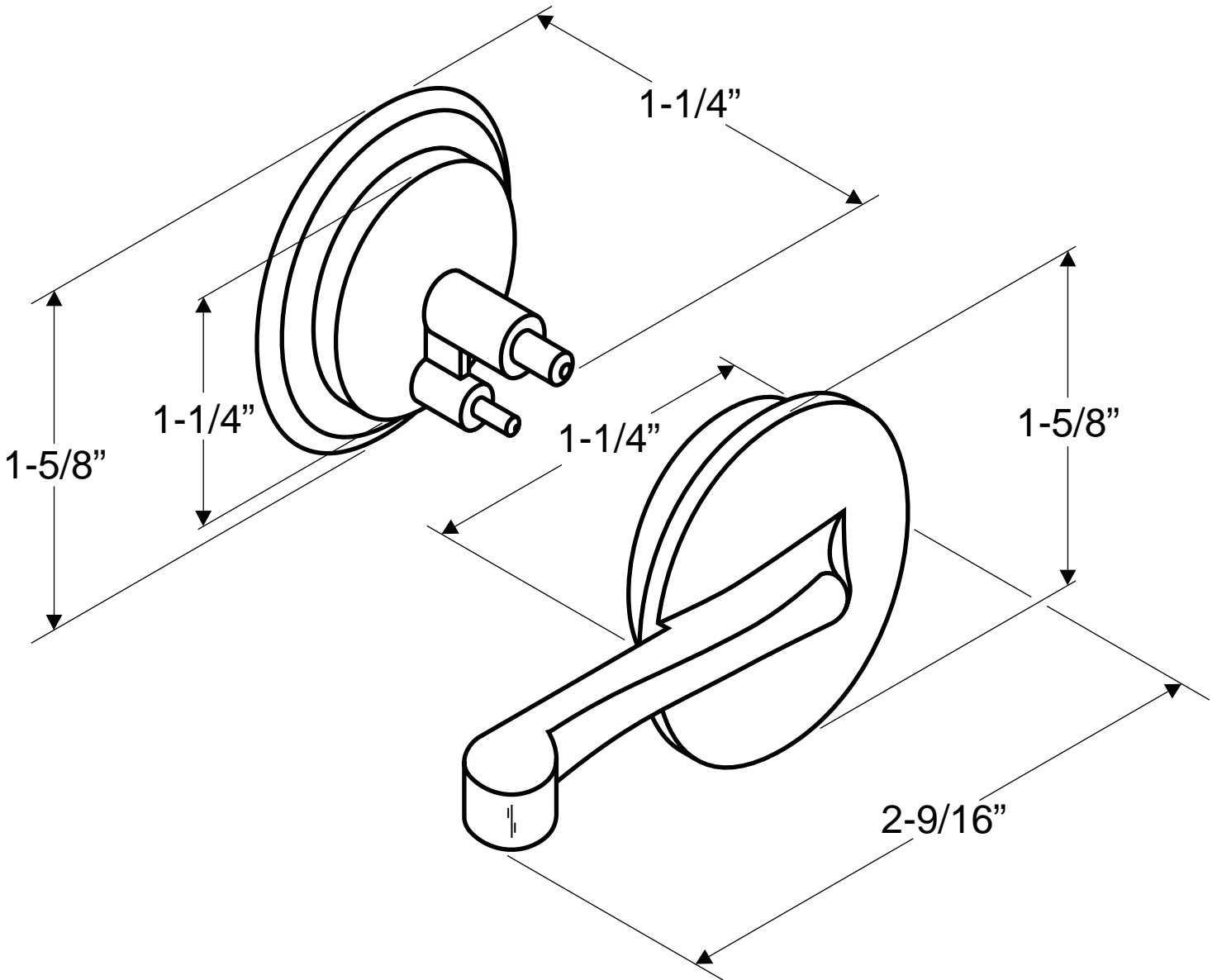


**6150, 6158
(CONCEALED LATCH)**



**NOTE: LATCH CAN BE USED
WITH ADA DOORS**