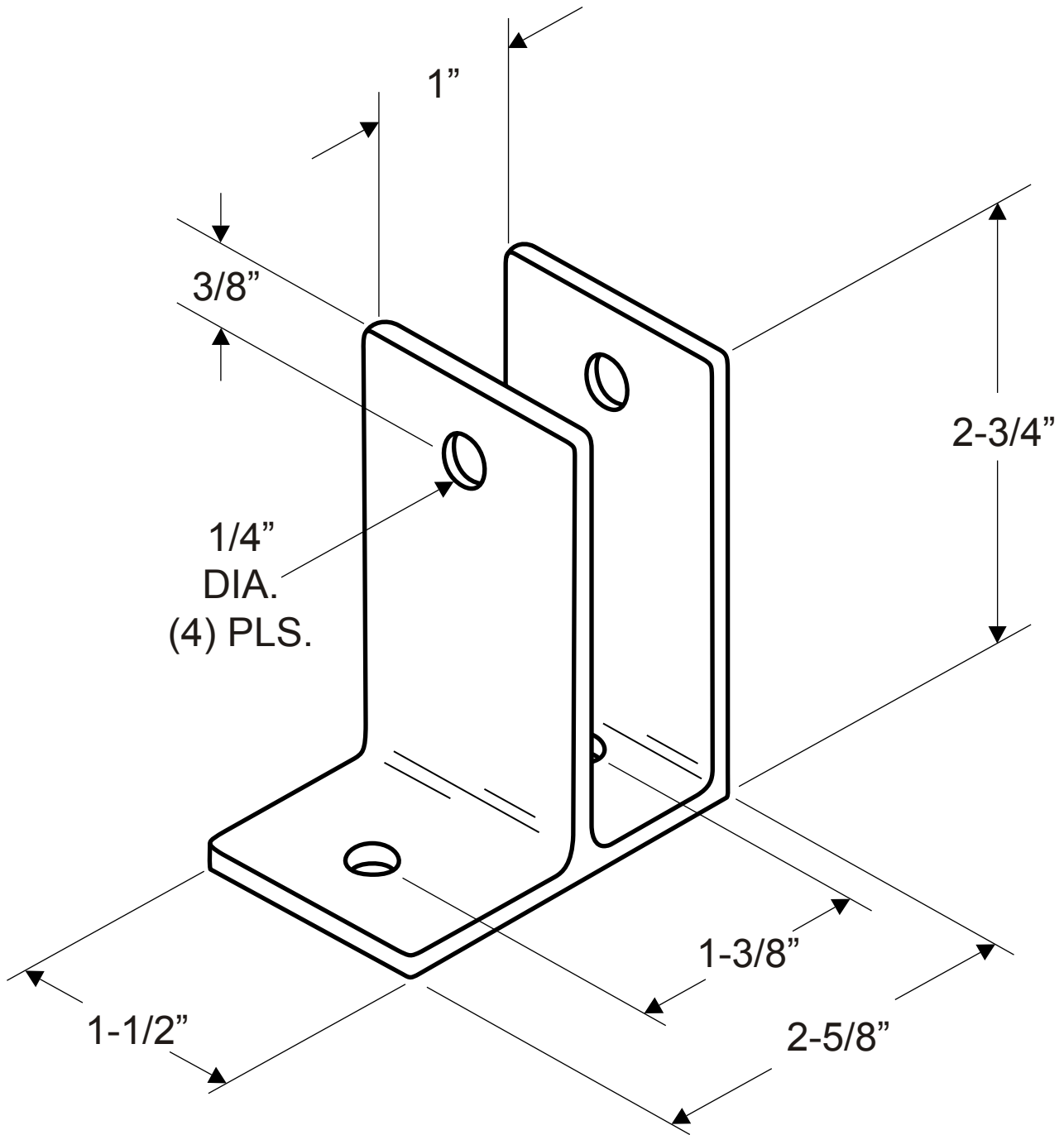


**1764  
(WALL BRACKET - ONE EAR 1")**



**NOTE: ALL WALL THICKNESS AT 1/8"**