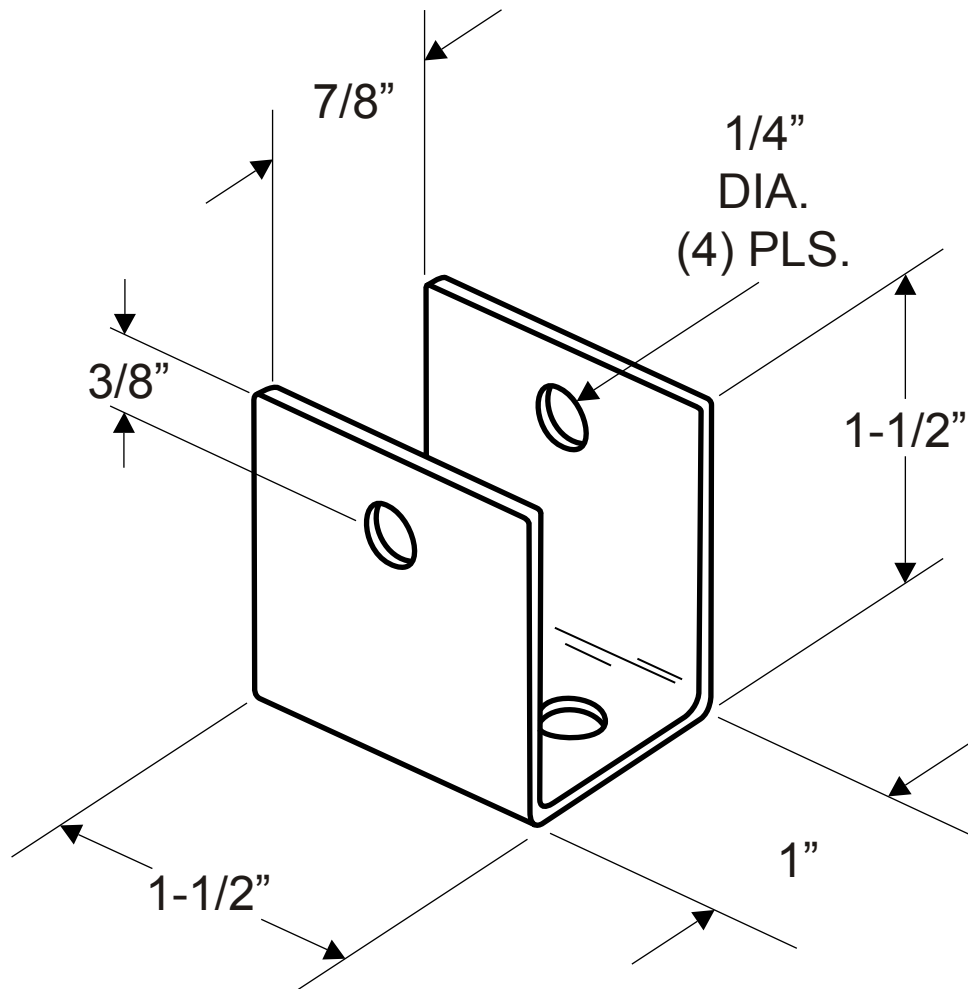


**1909
(U-BRACKET 7/8")**



**NOTE: 14 GAUGE (.075" THICK STAINLESS)
TWO HOLES IN BASE**