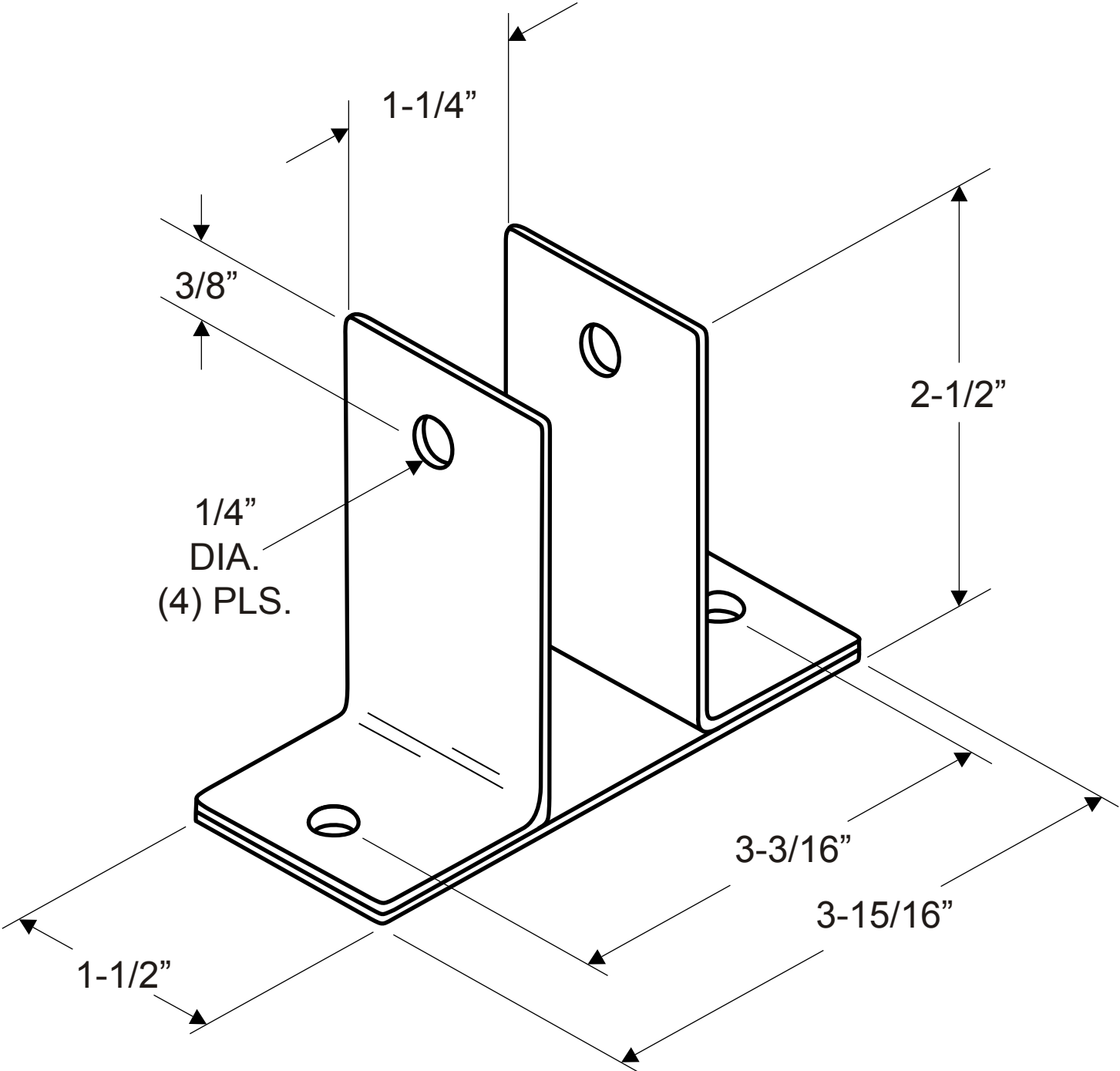


**1839**  
**(WALL BRACKET - TWO EAR 1-1/4")**



**NOTE: 14 GAUGE (.075" THICK STAINLESS)**