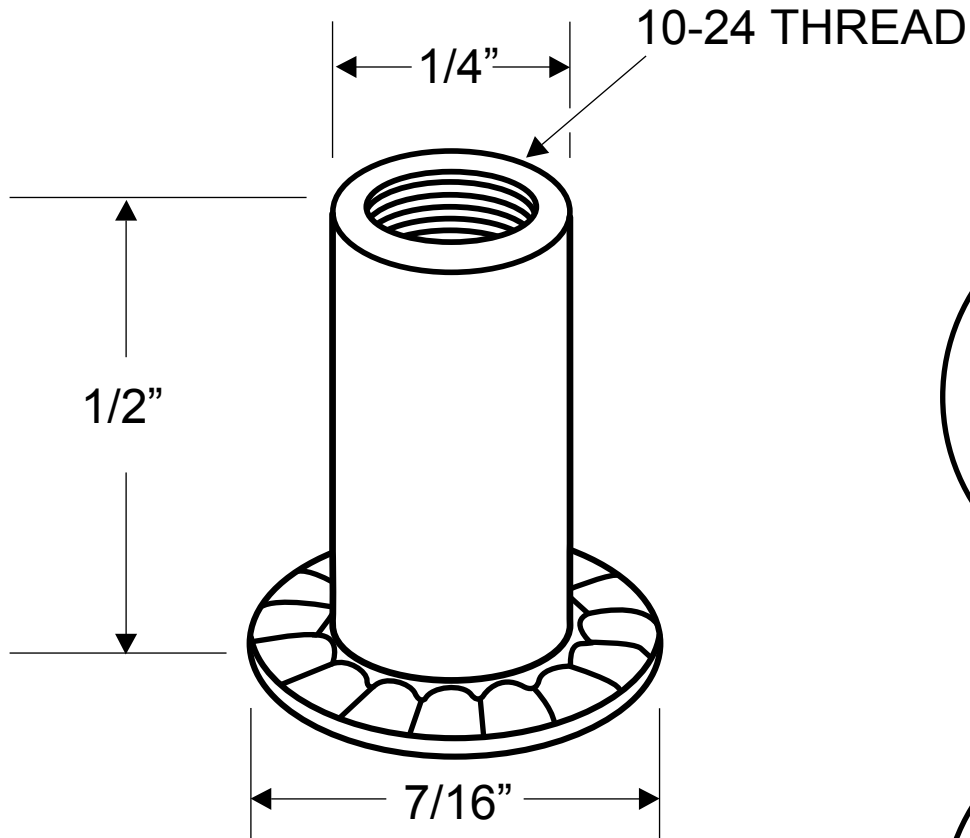
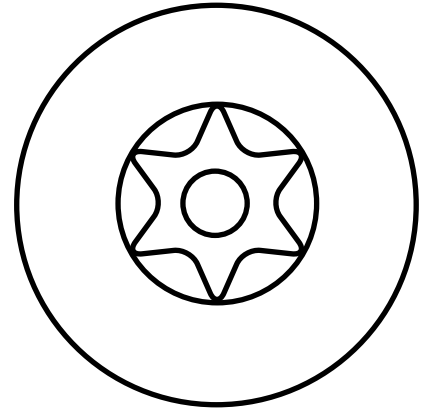


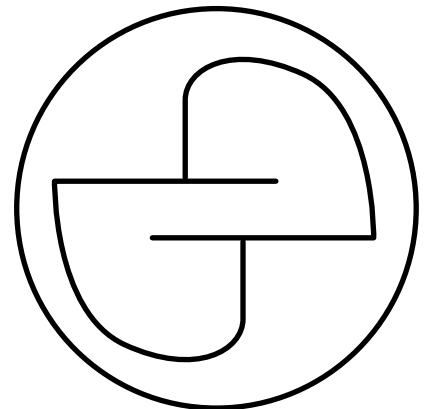
9701, 9702, 9703, 9709, 9721, 9723, 88203, 88209
(BARREL NUT 10-24 X 1/2")



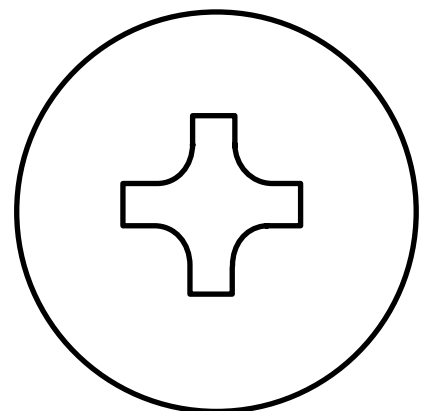
**T-27
SIX LOBE**



ONE-WAY



PHILLIPS



	ONE WAY	SIX LOBE	PHILLIPS
CHROME STEEL	9703	88203	9723
STAINLESS	9709	88209	—
CHROME BRASS	9701	—	9721
BRASS PLATED STAINLESS	9702	—	—