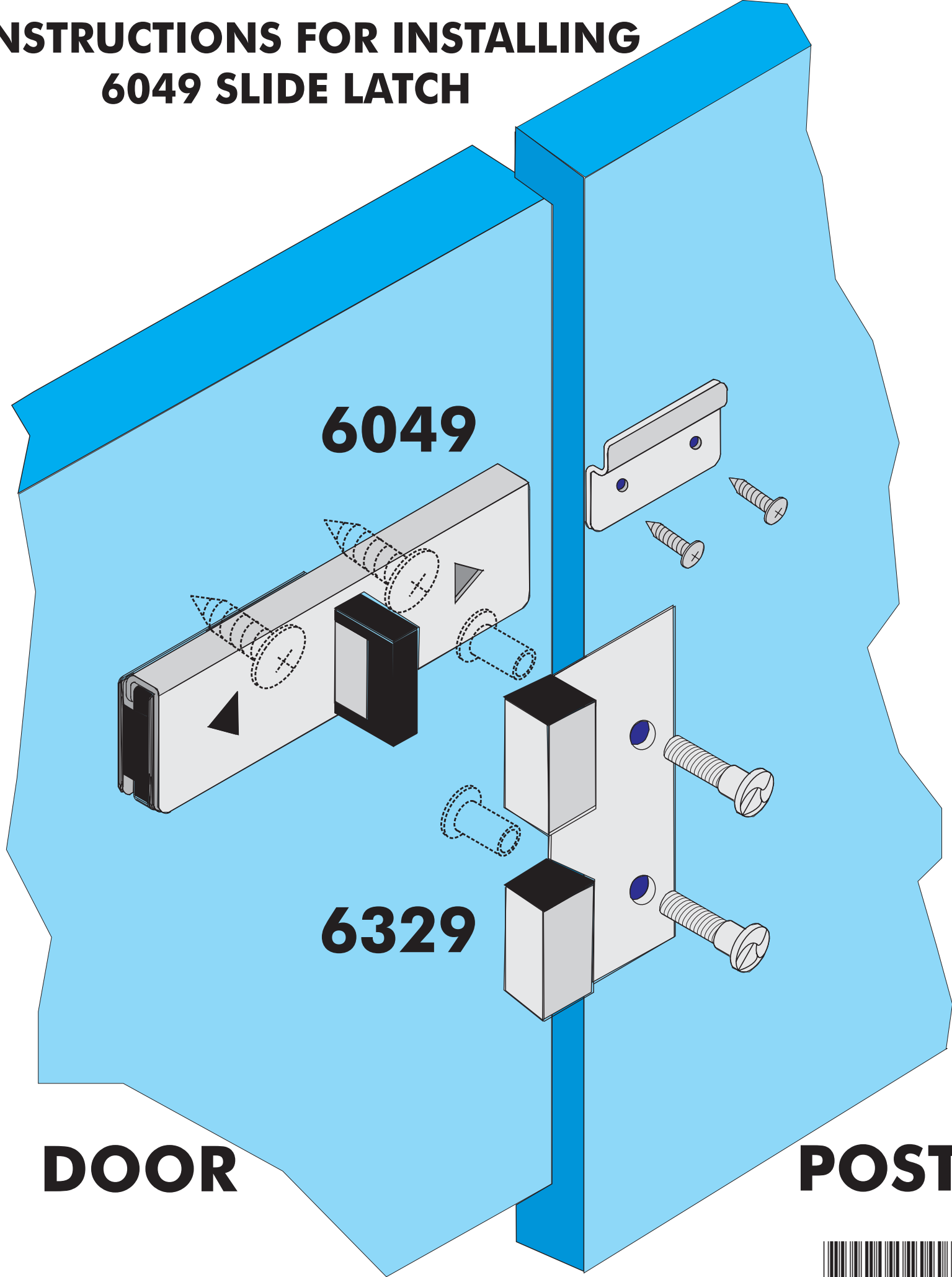


# INSTRUCTIONS FOR INSTALLING 6049 SLIDE LATCH



**6049**

**6329**

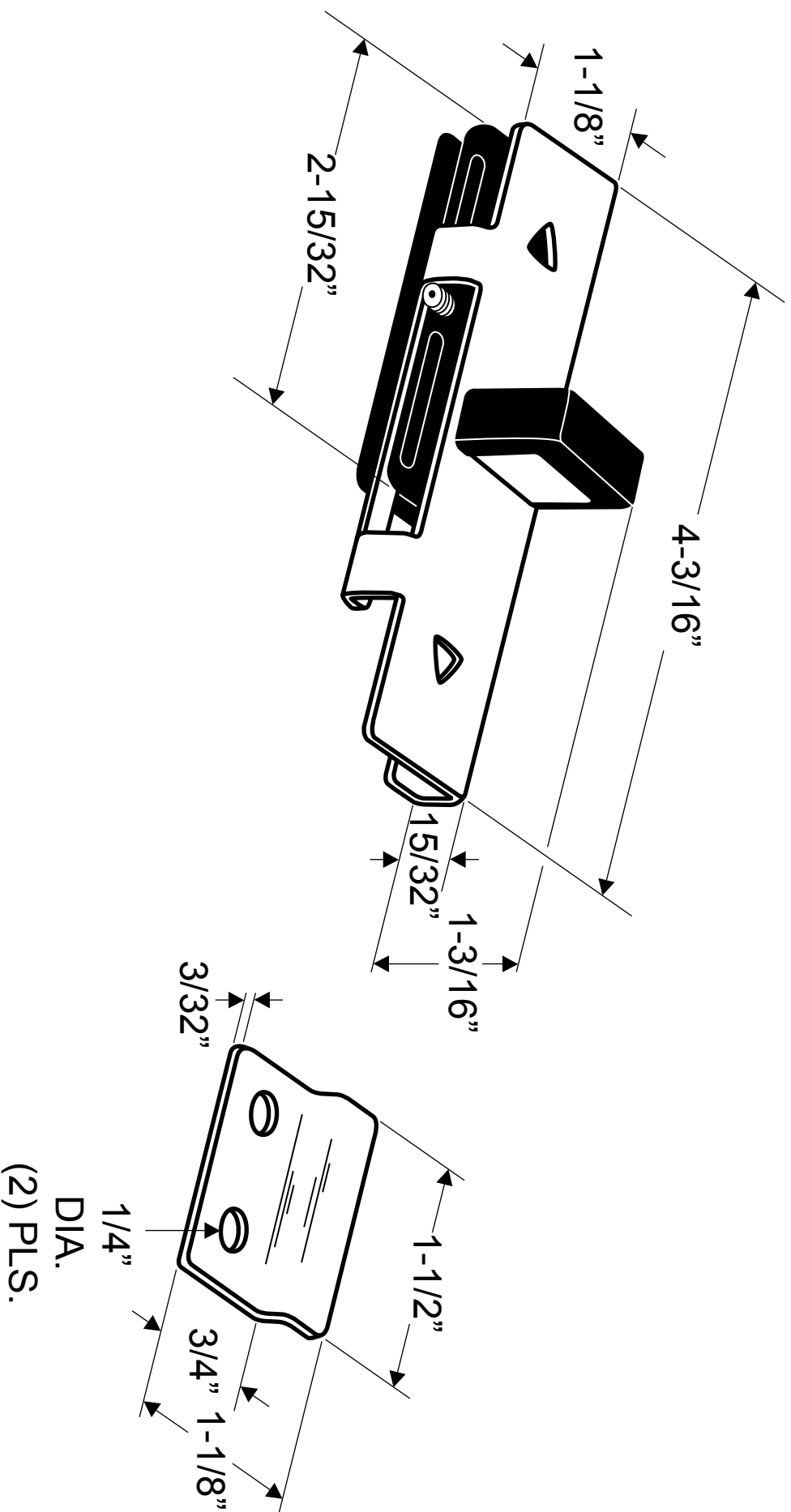
**DOOR**

**POST**



\*102255\*

**6049  
(SLIDE LATCH)**



**NOTE: (2)  $\frac{1}{4}\text{''}$  DIA. MOUNTING HOLES ON BASE  
 $1\text{-}\frac{1}{4}\text{''}$  CENTER TO CENTER  
SLIDE DISTANCE  $1\text{-}\frac{1}{2}\text{''}$**