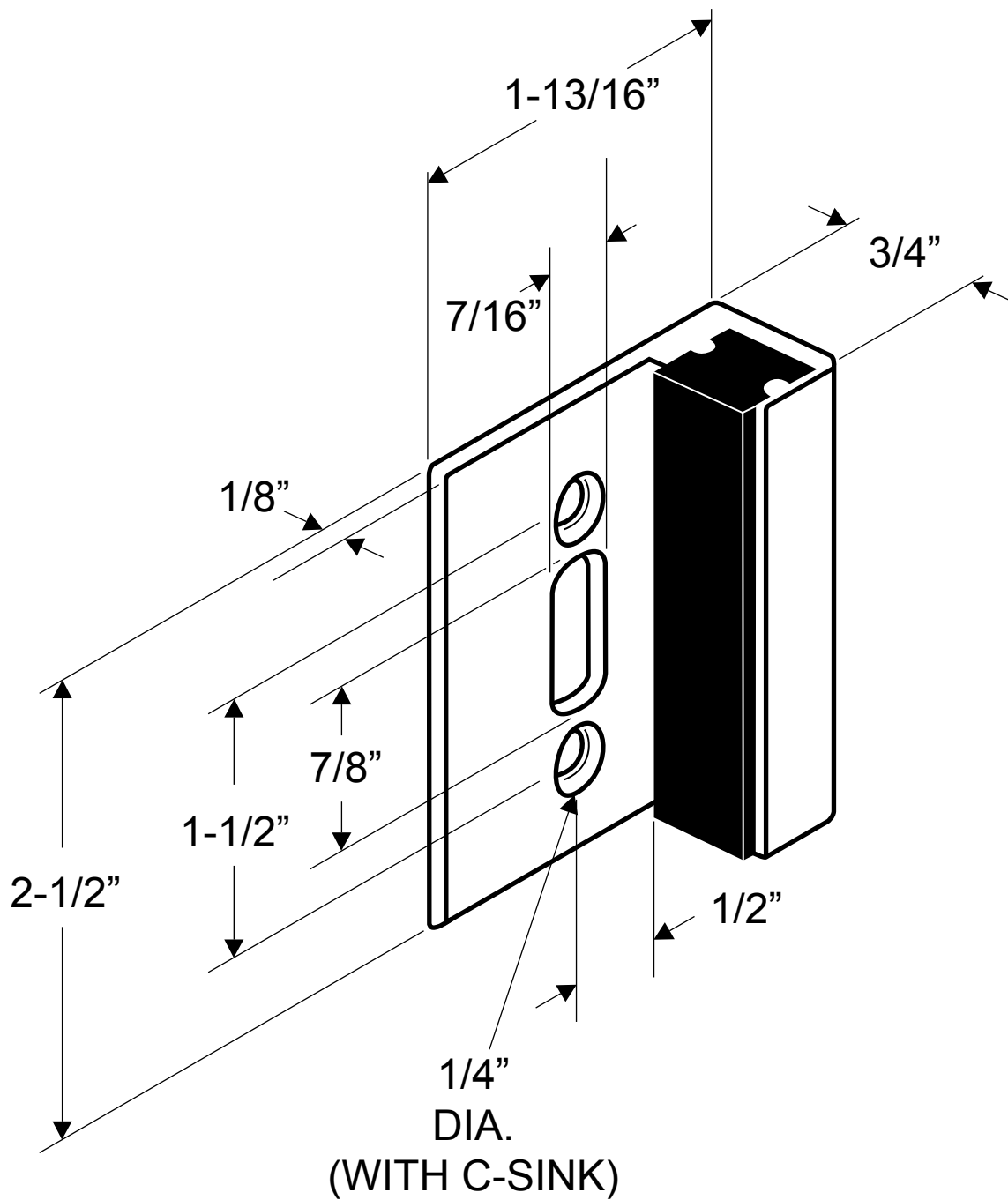


**5240, 5241, 5242, 5243
(STRIKE AND KEEPER - INSWING/OUTSWING FLAT)**



NOTE: FLAT-BACKED FOR WALL MOUNTING.