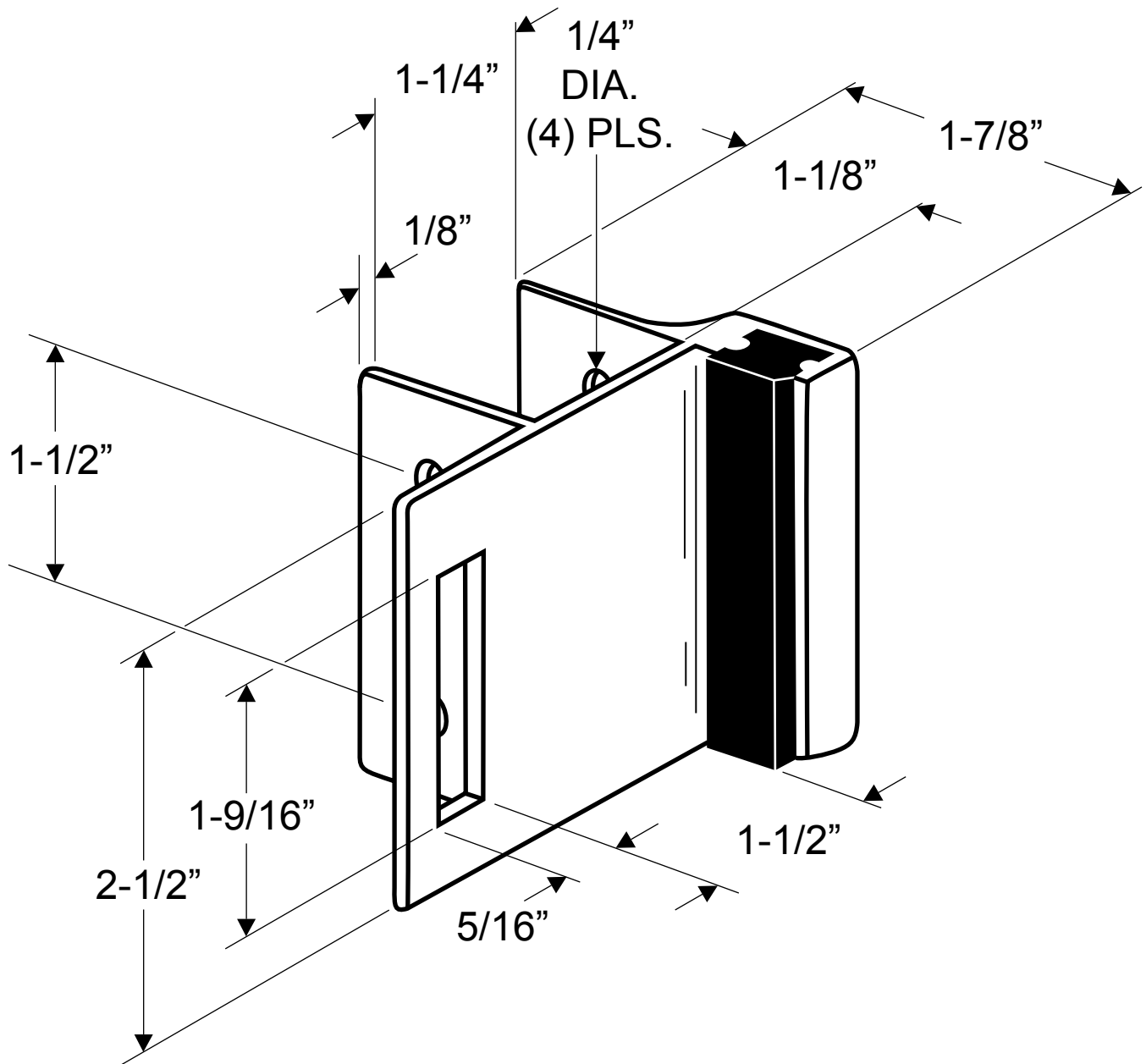


**5110, 5111, 5112, 5113, 5118  
(STRIKE AND KEEPER - INSWING 1-1/4")**



**NOTE: FOR SQUARE EDGE POST**