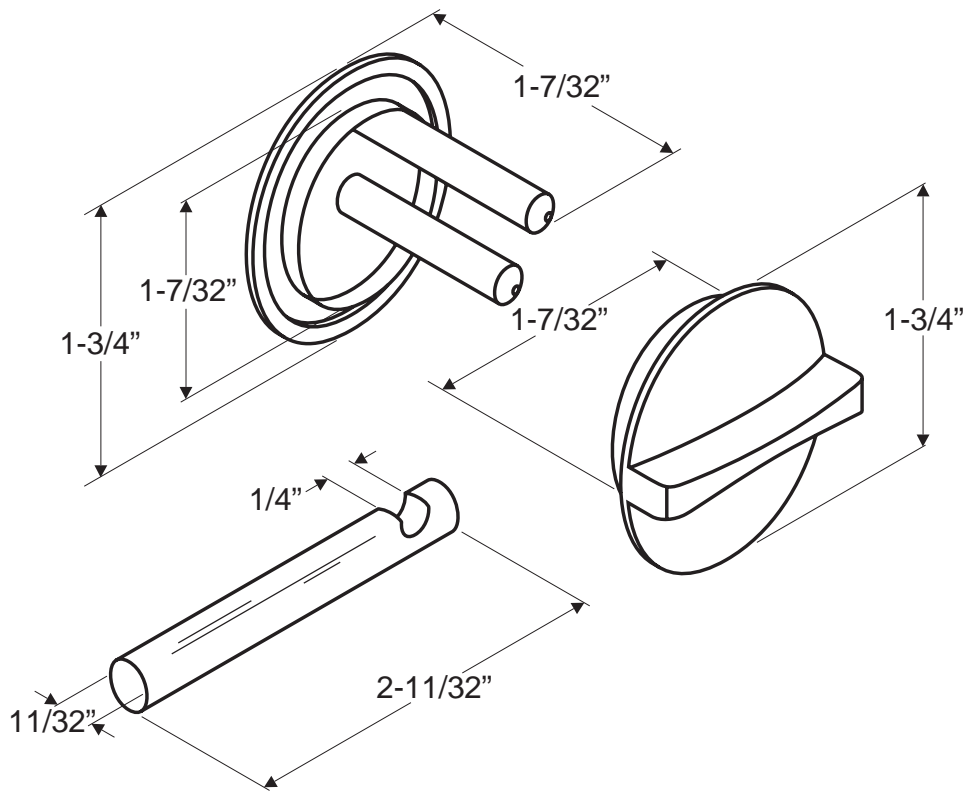
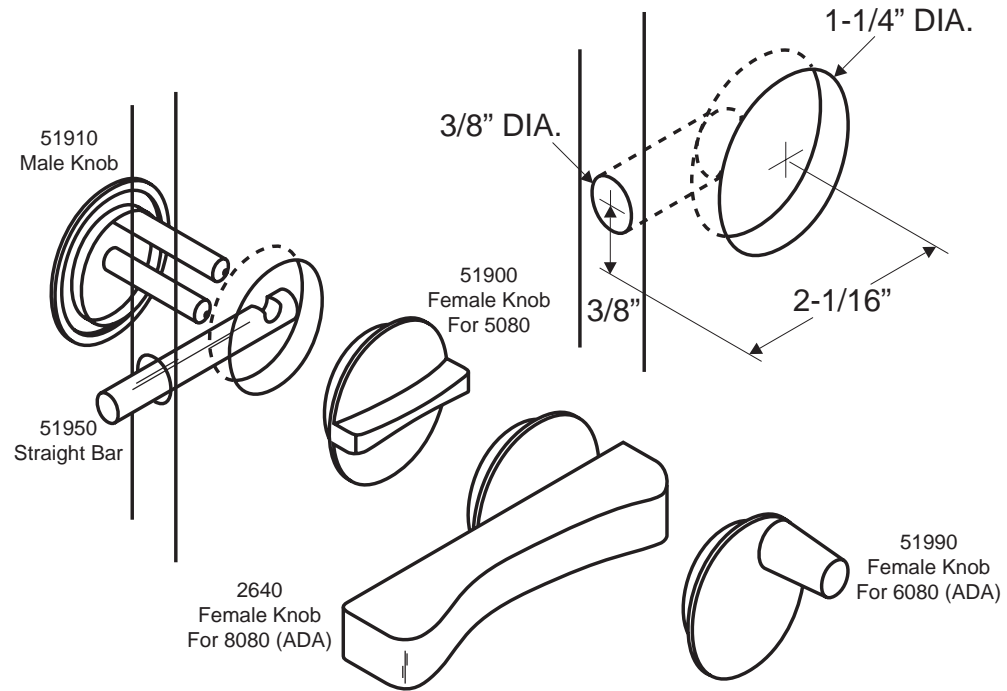


**5080
(CONCEALED LATCH)**



**INSTRUCTIONS FOR INSTALLING
5080, 6080, 8080 CONCEALED LATCHES**



1. Insert bar through edge of door - notched end first.
2. Insert male knob in door, engage upper pin of knob into notch of straight pin.
3. Insert female knob - engage both pins of male knob, hold one knob and apply pressure to the other to engage retainer ring.

REMOVAL - To remove latch, drill 3/8" diameter hole through center of female knob 5/8" deep. Pull knob set apart.