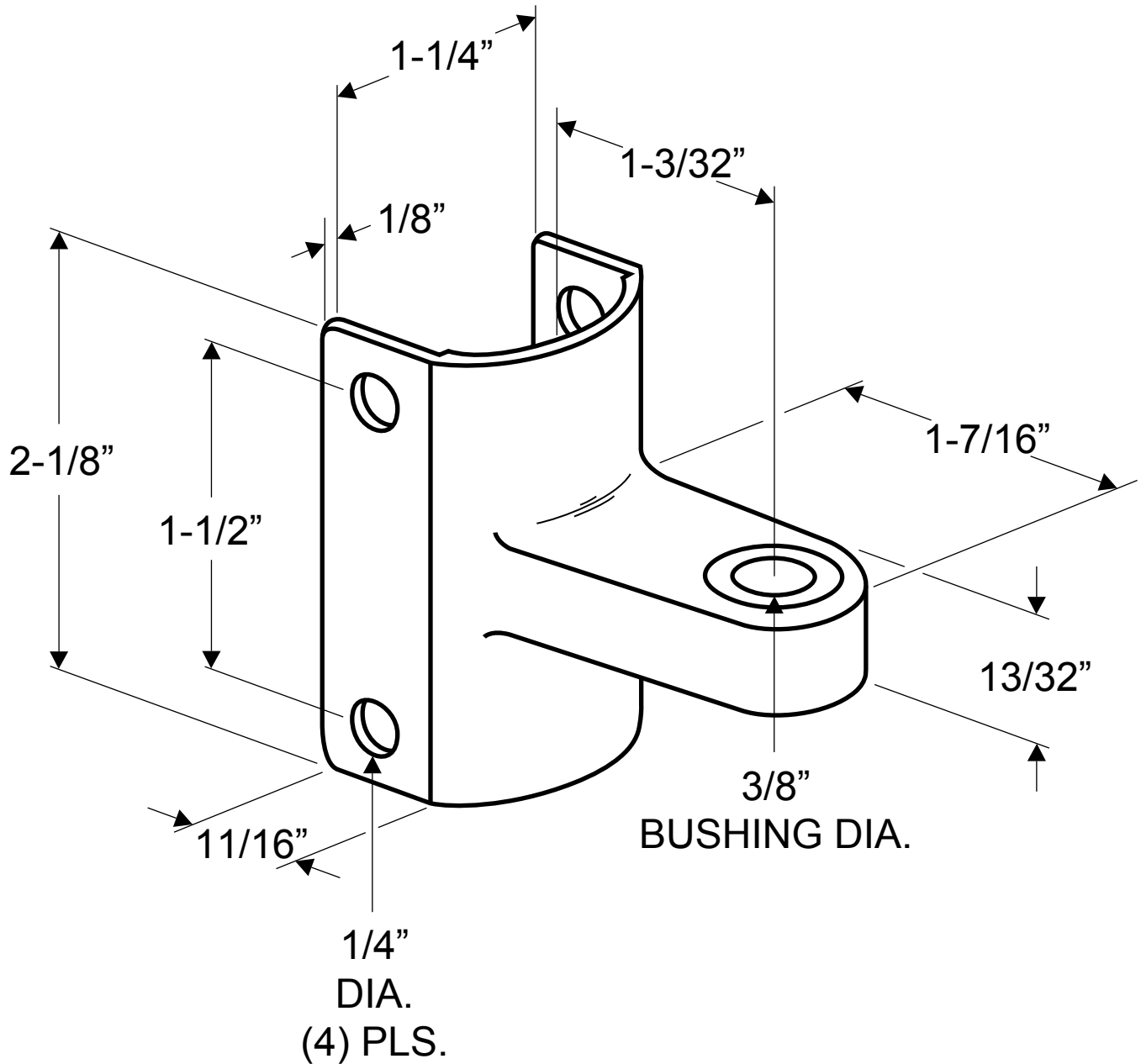


**4530, 4531, 4533
(PIVOT HINGE - TOP 1-1/4")**



NOTE: USED WITH 4040, 4041, 4043 BOTTOM HINGE