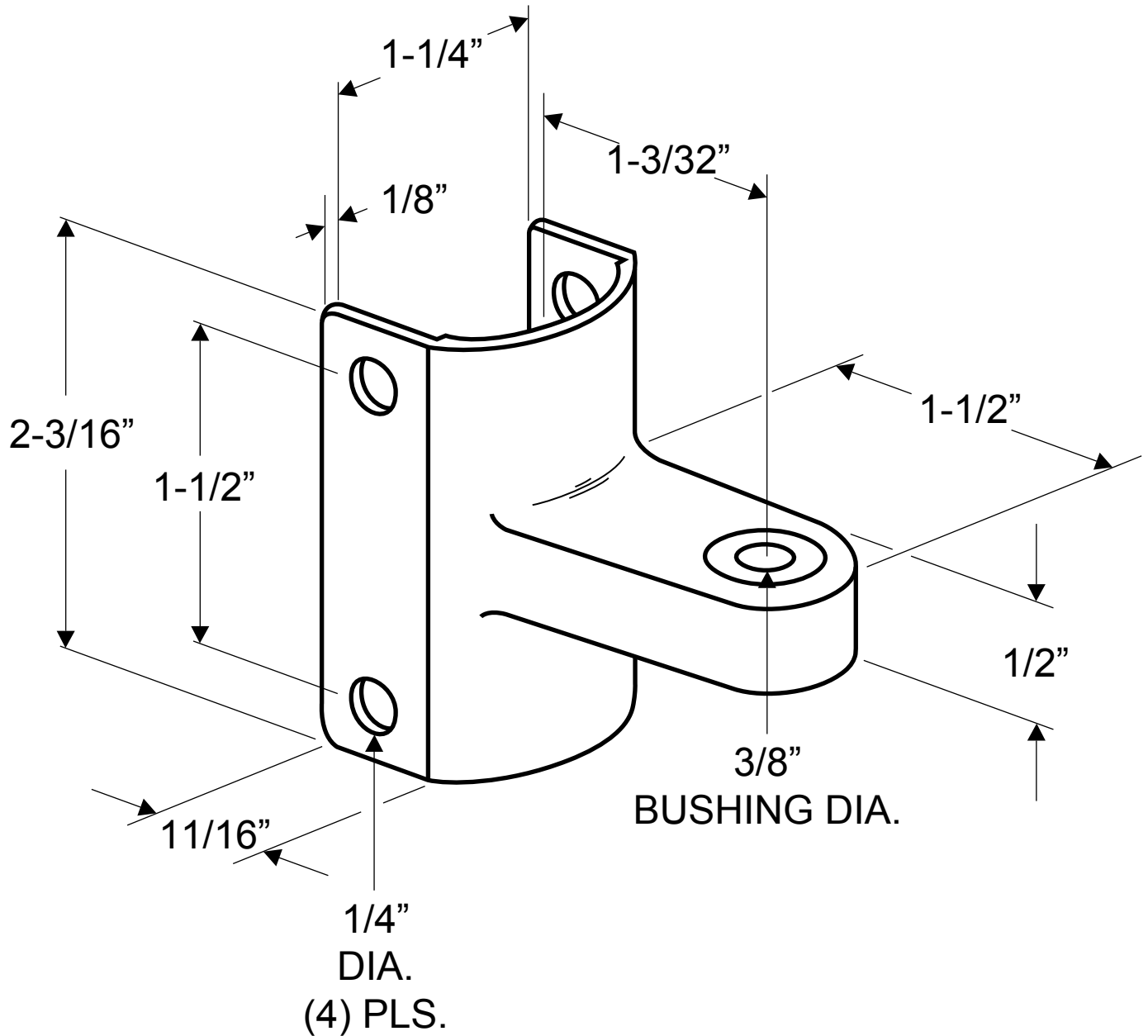


**3510, 3511, 3512, 3513, 3518
(PIVOT HINGE - TOP 1-1/4")**



NOTE: USED WITH 3010, 3011, 3012, 3013 BOTTOM HINGE