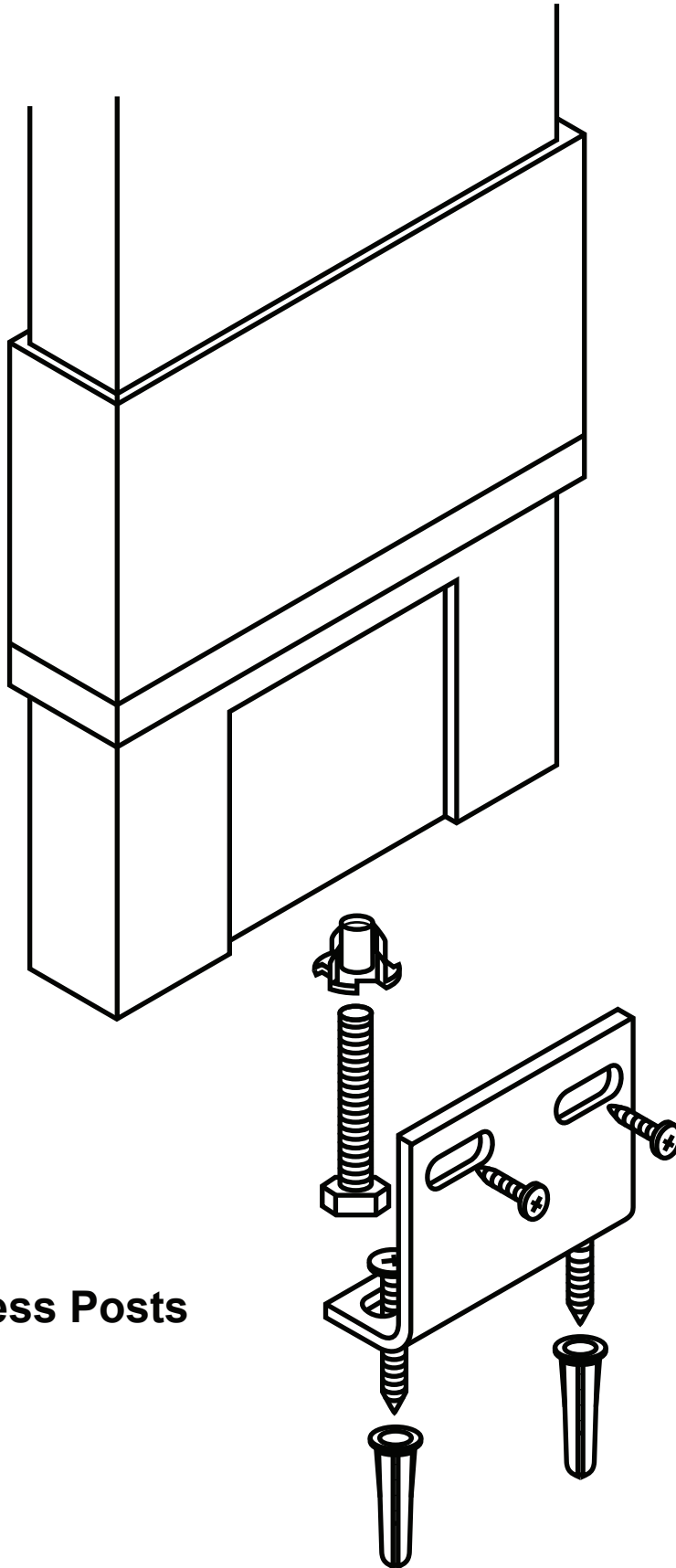


# INSTRUCTIONS FOR INSTALLING 30719 ANCHORING PACK



**For all thickness Posts**