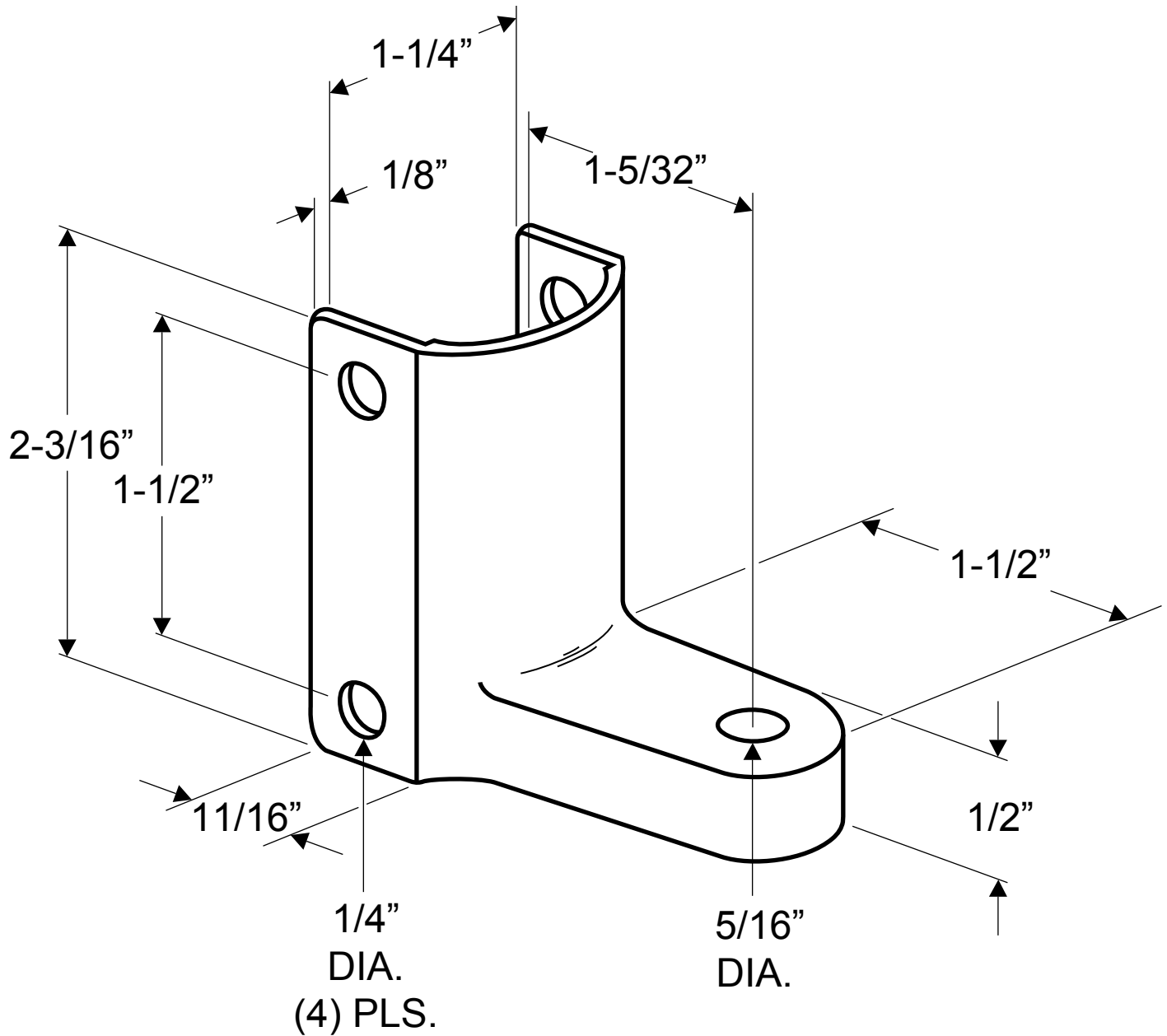


**3010, 3011, 3012, 3013, 3018  
(PIVOT HINGE - BOTTOM 1-1/4")**



**NOTE: USED WITH 3510, 3511, 3512, 3513 TOP HINGE**