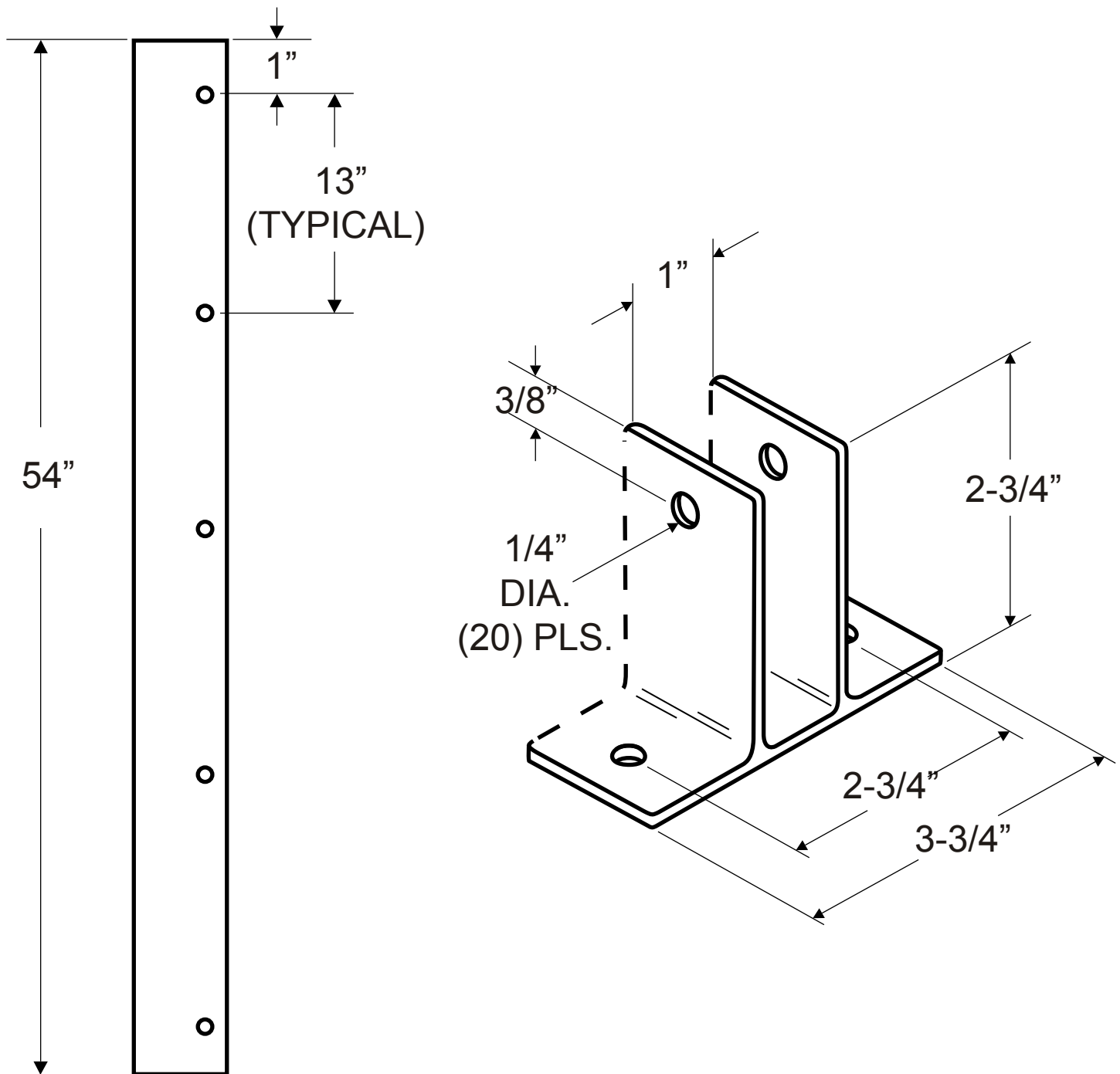


2868
(WALL BRACKET - TWO EAR 1"x54")



NOTE: ALL WALL THICKNESS AT 1/8"