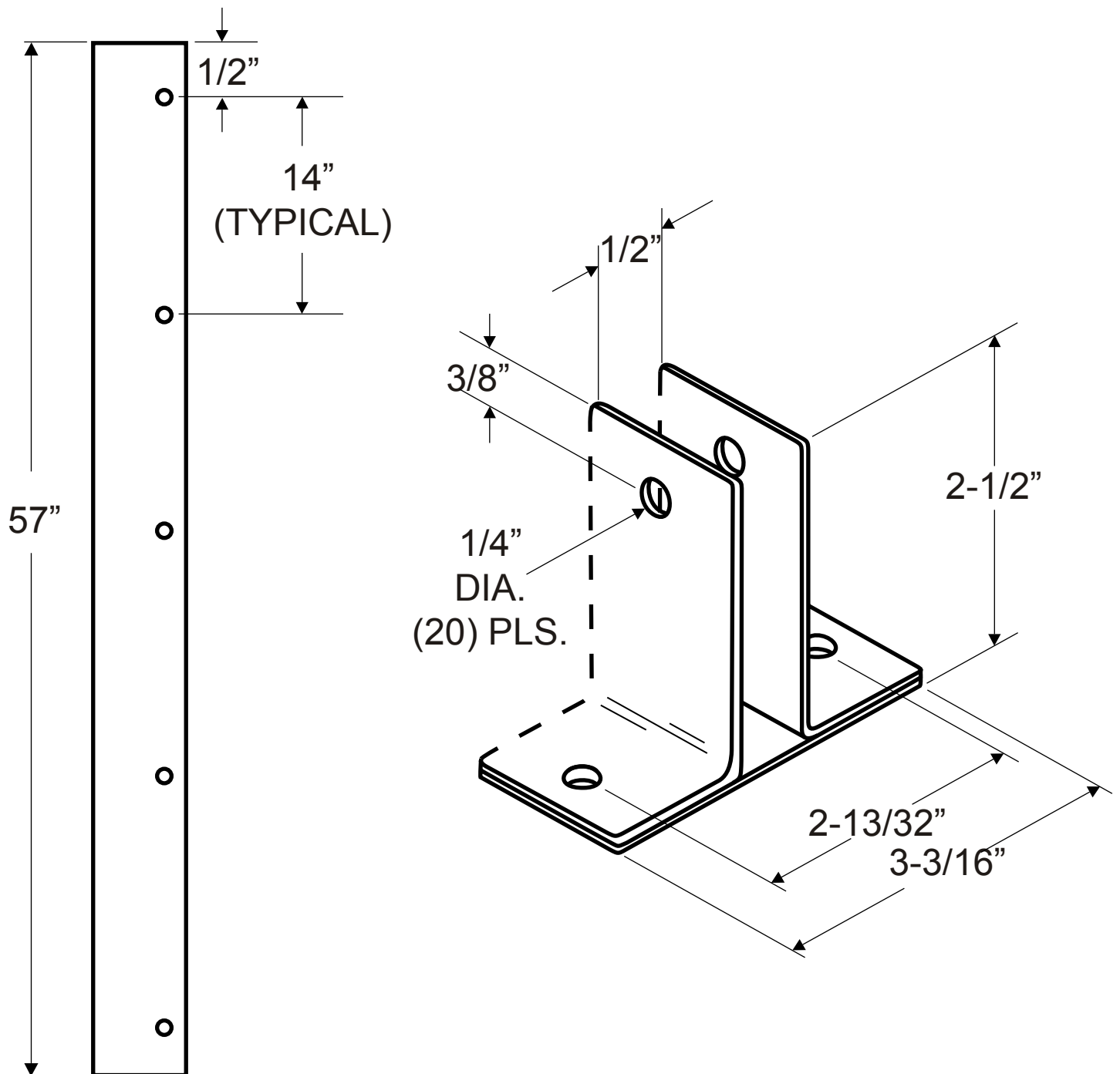


2679
(WALL BRACKET - TWO EAR 1/2"x57")



NOTE: 18 GAUGE (.050" THICK STAINLESS)