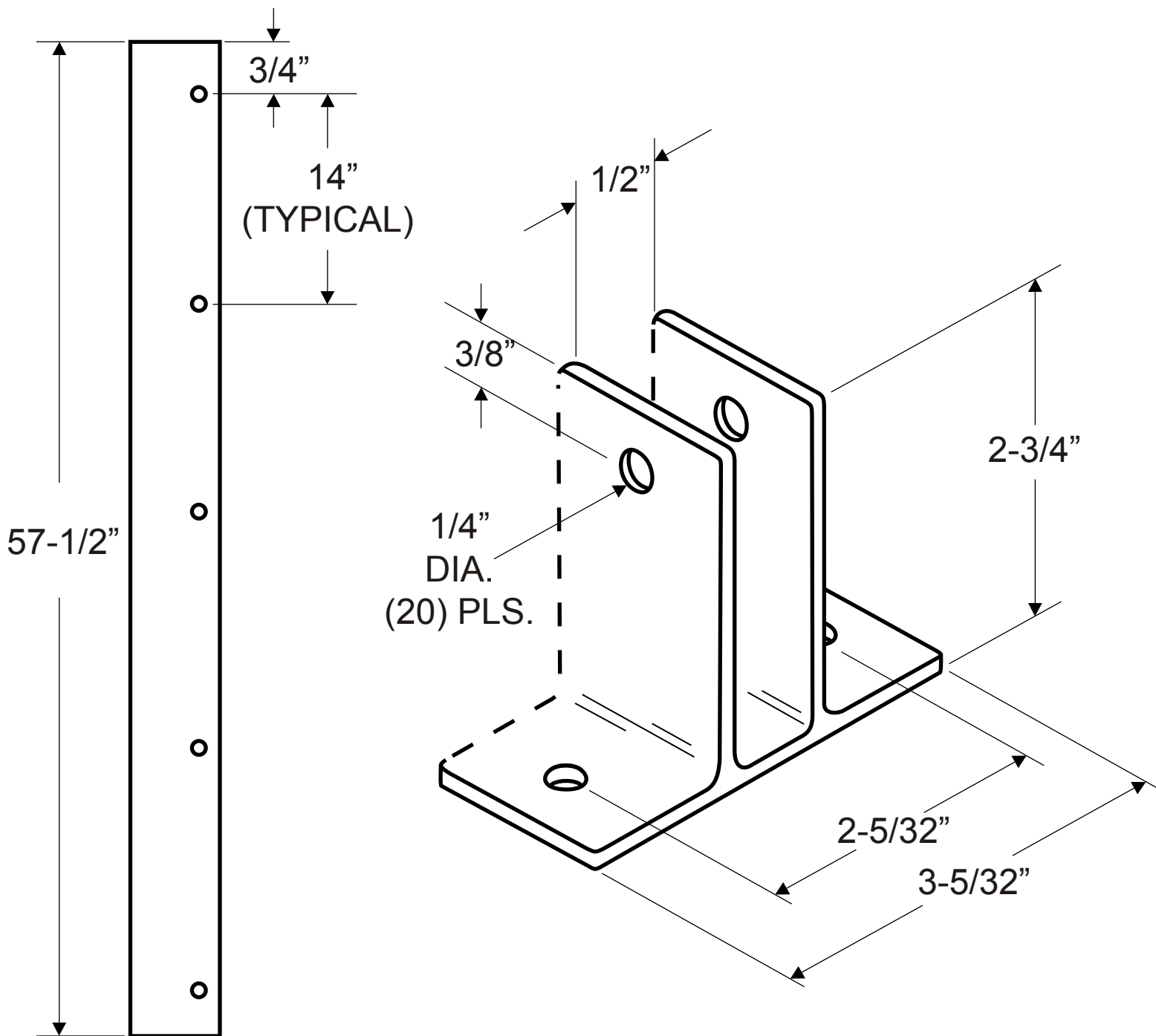


**2674**  
**(WALL BRACKET - TWO EAR 1/2"x57-1/2")**



**NOTE: ALL WALL THICKNESS AT 1/8"**