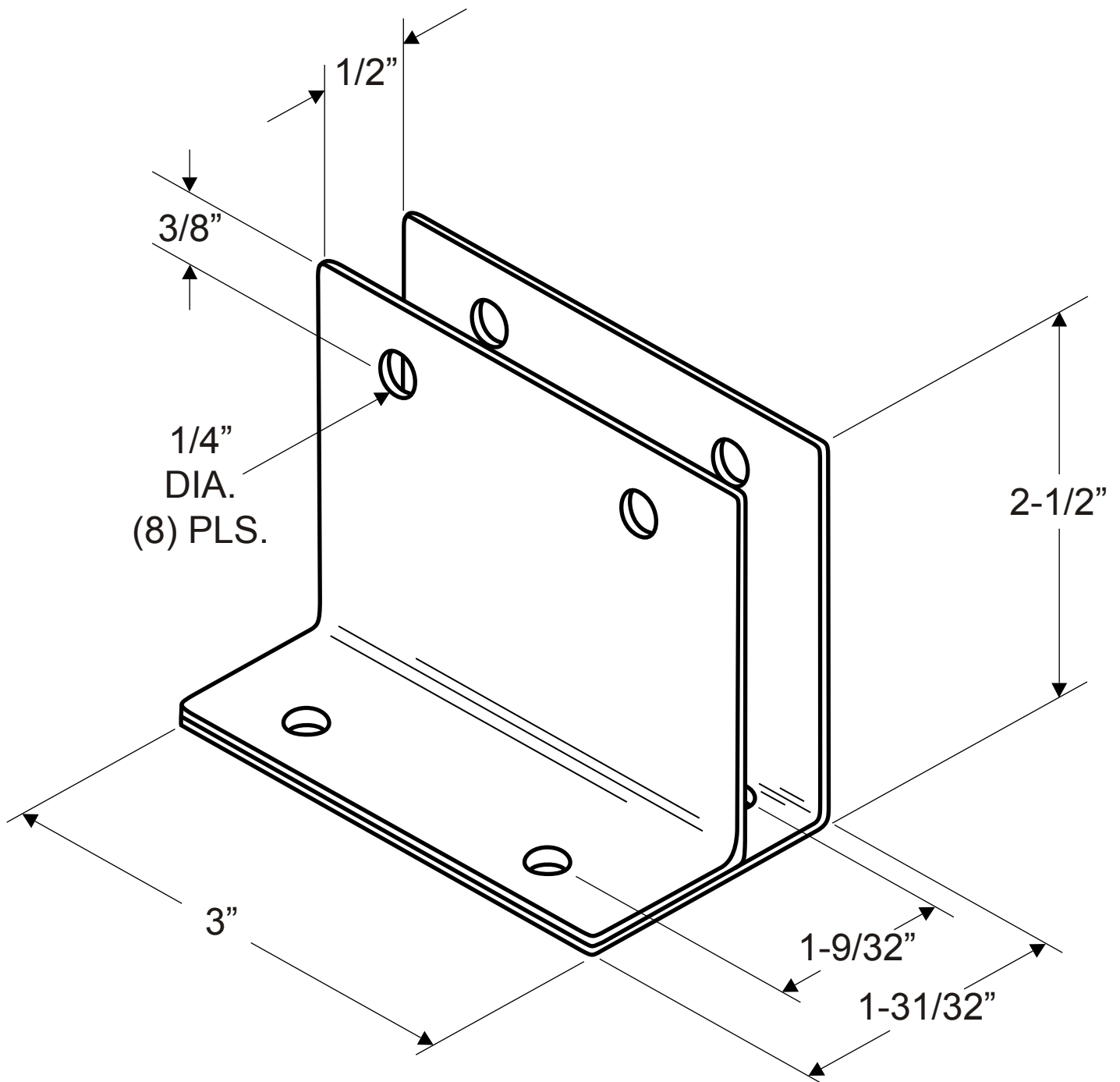


2219
(WALL BRACKET - ONE EAR DOUBLE HIGH 1/2")



NOTE: 14 GAUGE (.075" THICK STAINLESS)