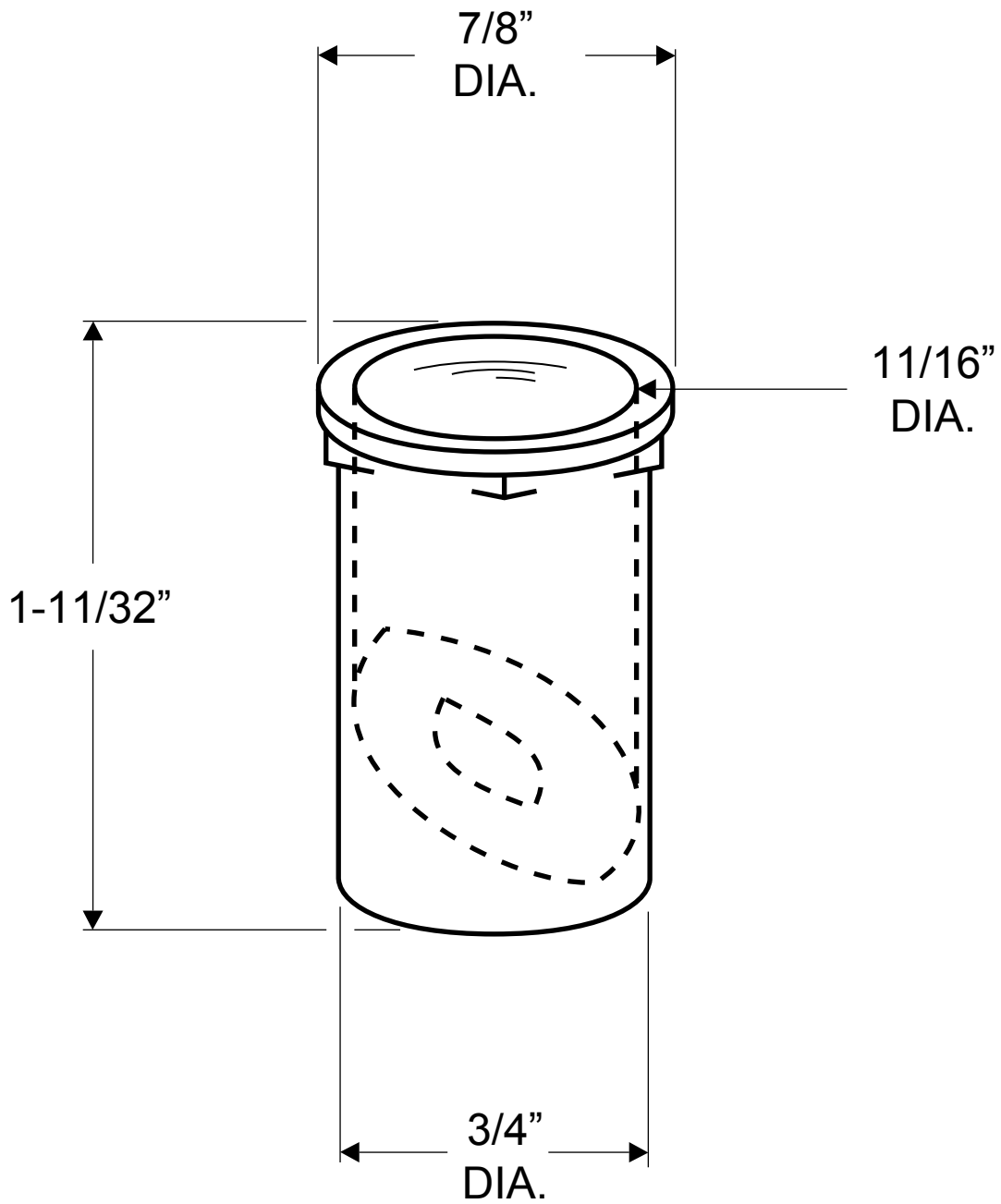


**98245
(CAM)**



NOTE: WHITE NYLON MATERIAL